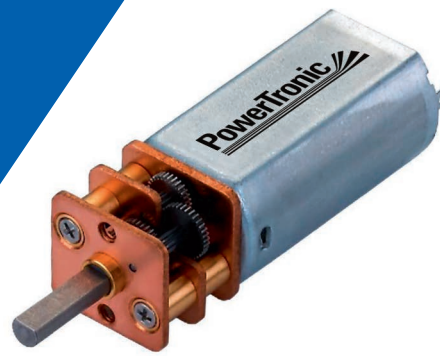


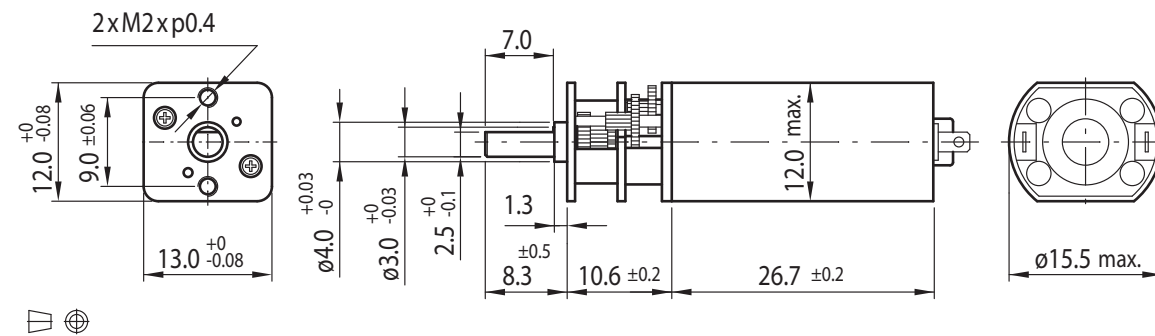
DC Motor Spur Gearbox Type SZ13W-DC16.27



Gearmotor

Gear Ratio		10	21	34	59	75	105	146	203	257	294	360
6V	Rated Torque (Ncm)	0.55	1.1	1.8	2.85	3.65	5.1	6.35	8.8	10	10	10
	Rated Speed (min ⁻¹)	650	300	190	110	86	62	44	32	25	23	19
12V	Rated Torque (Ncm)	0.45	0.9	1.5	2.35	3	4.2	5.2	7.3	9.2	10	10
	Rated Speed (min ⁻¹)	620	290	180	100	82	59	42	30	24	21	18

Rel. Humidity: 20 to 85% | Ambient Temp.: -10 to +60°C | Net Weight max. 23.3g

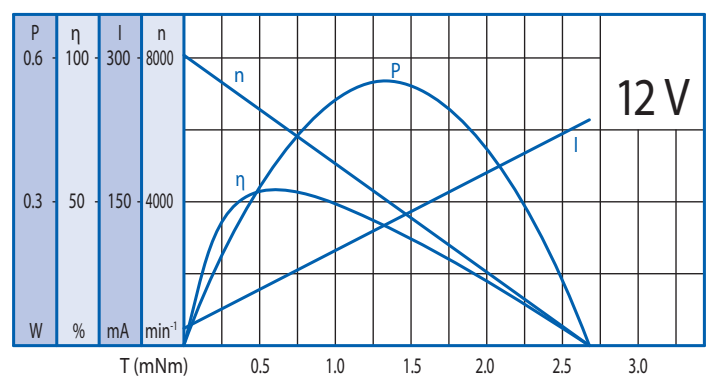
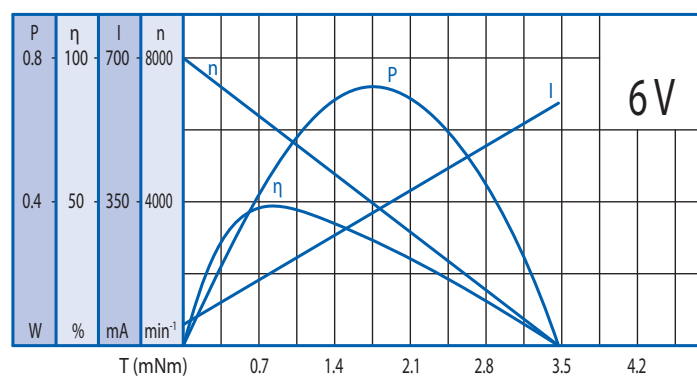


Options

Encoder
Rear Shaft
EMC Filter
Leads
Connector
Special Shaft
Special Voltage

Motor

Rated Voltage (V)	Rated Torque (Ncm)	Rated Speed (min ⁻¹)	Rated Current (mA)	No Load Speed (min ⁻¹)	No Load Current (mA)	Rated Power (W)
6	0.074	6550	≤160	8000	≤65	0.5
12	0.061	6200	≤85	8000	≤50	0.394



Gearbox

Gear Ratio	10	21	34	59	75	105	146	203	257	294	360
Max. Rated Torque (Ncm)	2	3	3	5	5	8	8	10	10	10	10
Max. Peak Torque (Ncm)	6	9	9	15	15	24	24	30	30	30	30

Radial Load (FR): 4 N (5 mm from face mounting) | Axial Load (FA): 2 N