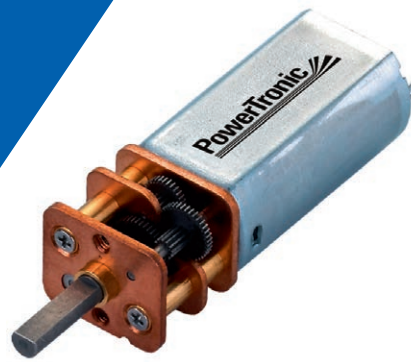


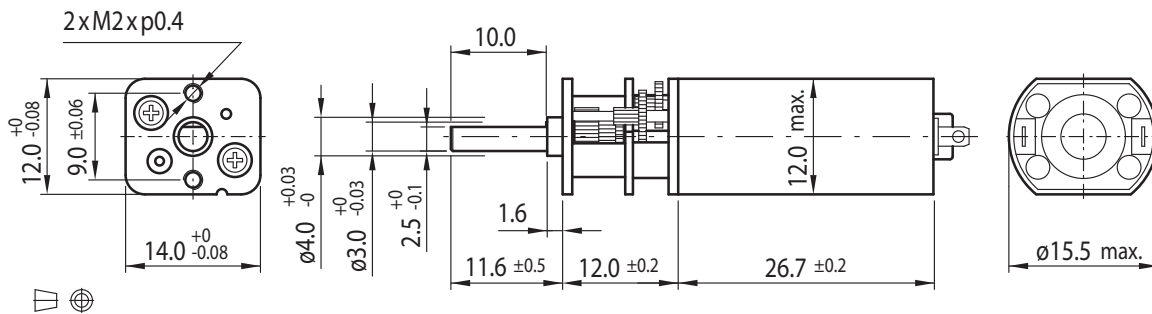
DC Motor Spur Gearbox Type SZ14W-DC16.27



Gearmotor

| Gear Ratio | | 6 | 36 | 62 | 123 | 209 |
|------------|----------------------------------|------|-----|-----|-----|-----|
| 12V | Rated Torque (Ncm) | 0.3 | 1.4 | 2.4 | 4.4 | 7.5 |
| | Rated Speed (min ⁻¹) | 1000 | 170 | 100 | 50 | 29 |
| 24V | Rated Torque (Ncm) | 0.4 | 2.1 | 3.6 | 6.5 | 10 |
| | Rated Speed (min ⁻¹) | 1800 | 300 | 175 | 89 | 53 |

Rel. Humidity: 20 to 85% | Ambient Temp.: -10 to +60°C | Net Weight max. 24.2g

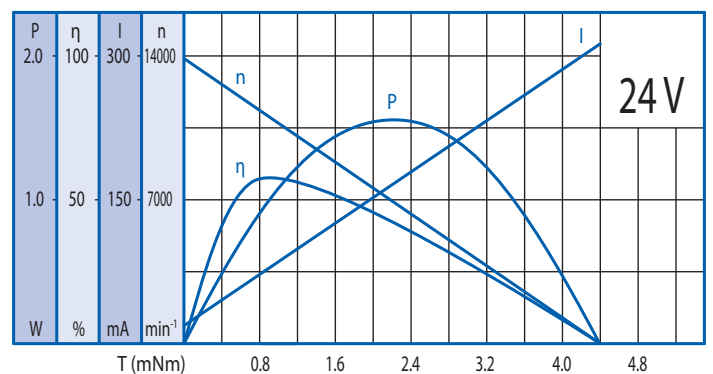
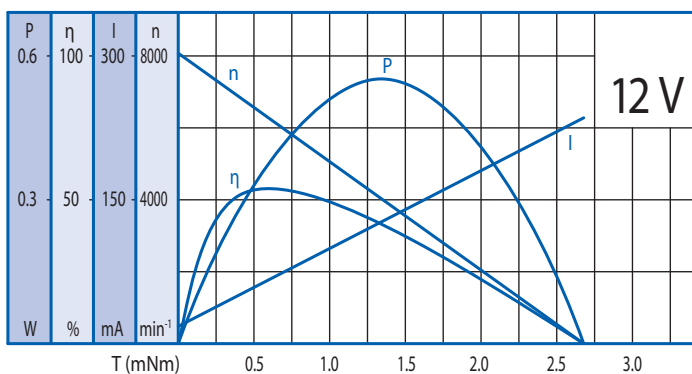


Options

| |
|-----------------|
| Encoder |
| Rear Shaft |
| EMC Filter |
| Leads |
| Connector |
| Special Shaft |
| Special Voltage |

Motor

| Rated Voltage (V) | Rated Torque (Ncm) | Rated Speed (min ⁻¹) | Rated Current (mA) | No Load Speed (min ⁻¹) | No Load Current (mA) | Rated Power (W) |
|-------------------|--------------------|----------------------------------|--------------------|------------------------------------|----------------------|-----------------|
| 12 | 0.061 | 6200 | ≤85 | 8000 | ≤50 | 0.394 |
| 24 | 0.09 | 11000 | ≤90 | 13500 | ≤50 | 1.026 |



Gearbox

| Gear Ratio | 6 | 36 | 62 | 123 | 209 |
|-------------------------|---|----|----|-----|-----|
| Max. Rated Torque (Ncm) | 2 | 3 | 5 | 8 | 10 |
| Max. Peak Torque (Ncm) | 6 | 9 | 15 | 24 | 30 |

Radial Load (FR): 4 N (5 mm from face mounting) | Axial Load (FA): 2 N