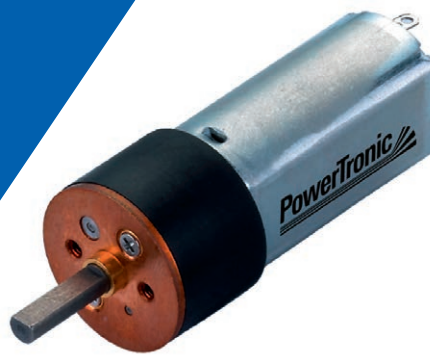


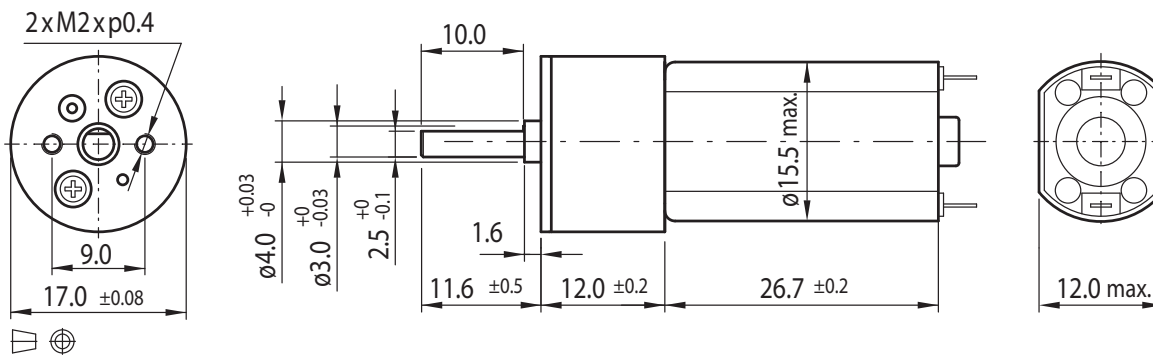
DC Motor Spur Gearbox Type SZ17-DC16.27



Gearmotor

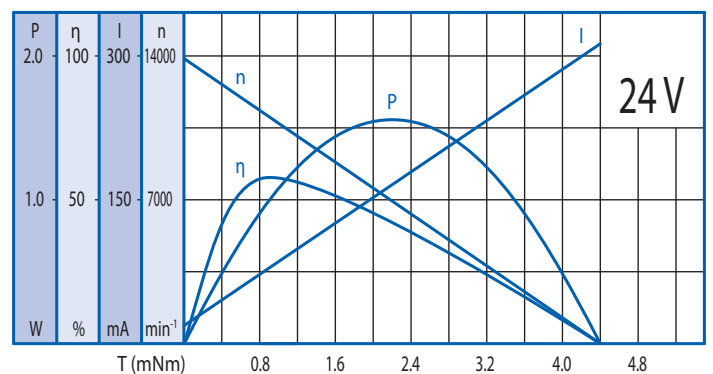
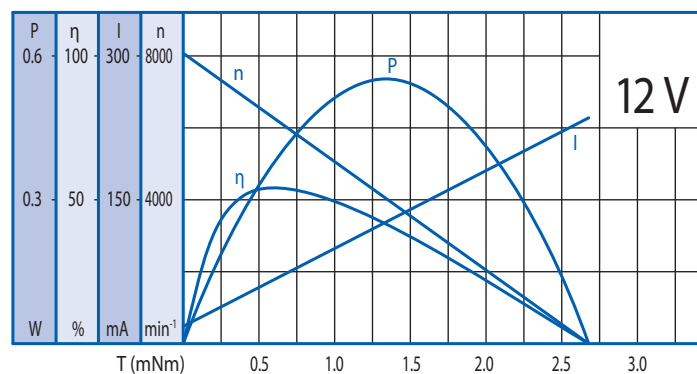
Gear Ratio		6	36	62	123	209
12V	Rated Torque (Ncm)	0.3	1.4	2.4	4.4	7.5
	Rated Speed (min ⁻¹)	1000	170	100	50	29
24V	Rated Torque (Ncm)	0.4	2.1	3.6	6.5	10
	Rated Speed (min ⁻¹)	1800	300	175	89	53

Rel. Humidity: 20 to 85% | Ambient Temp.: -10 to +60°C | Net Weight max. 25.8g



Motor

Rated Voltage (V)	Rated Torque (Ncm)	Rated Speed (min ⁻¹)	Rated Current (mA)	No Load Speed (min ⁻¹)	No Load Current (mA)	Rated Power (W)
12	0.061	6200	≤85	8000	≤50	0.394
24	0.09	11000	≤90	13500	≤50	1.026



Gearbox

Gear Ratio	6	36	62	123	209
Max. Rated Torque (Ncm)	2	3	5	8	10
Max. Peak Torque (Ncm)	6	9	15	24	30

Radial Load (FR): 4 N (5 mm from face mounting) | Axial Load (FA): 2 N