

Synchronous Motor

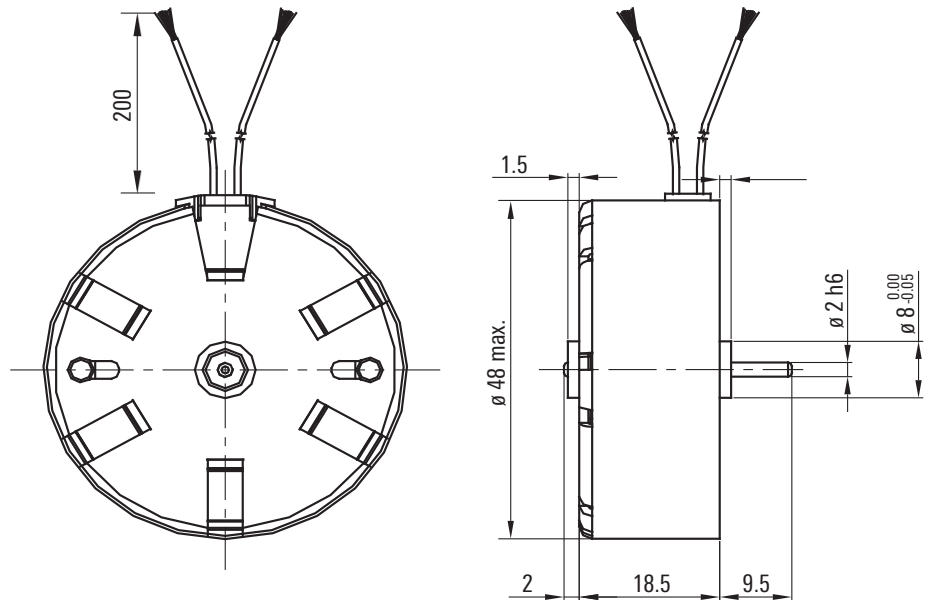
Type SY48.19-MT6b



Motor

Operating Mode	Rated Power (W)	Rated Speed (min ⁻¹)	Rated Torque (Ncm)	Rated Voltage (V)	Frequency (Hz)	Protection Class	Rotation Direction
100% Cont.	0.8	500	0.9	230 ± 10%	50	IP40	Clockwise

Ambient Temp. (during operation): -15 bis +55°C | Net Weight: 100g



Options

Special Voltage (12/24/110V)
Special Shaft
Connector as desired
Counterclockwise rotation
Gearbox