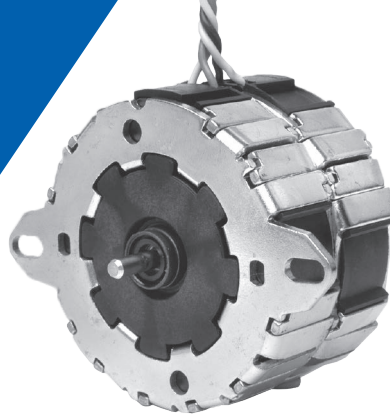


# Synchronous Motor

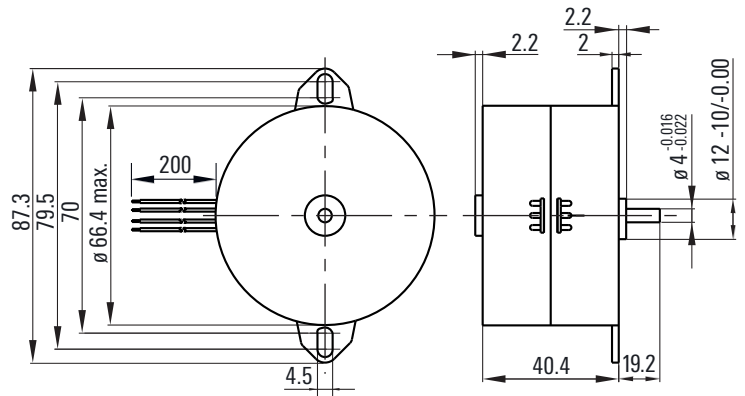
## Type SY66.40-MTR8c



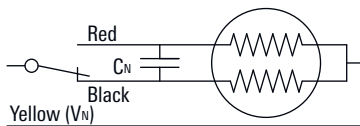
### Motor

Operating Mode	Rated Power (W)	Rated Speed (min <sup>-1</sup> )	Rated Torque (Ncm)	Rated Voltage (V)	Frequency (Hz)	Protection Class	Rotation Direction
100% Cont.	4.6	375	10.5	230 ± 10%	50	IP40	Reversible

Ambient Temp. (during operation): -15 bis +55°C | Net Weight: 450g



### Connections



### Options

Special Voltage (24/110V)
Special Shaft
Connector as desired
Gearbox
High Power Winding