

# AC Induction Motor Spur Gearbox Type ST90-5IK40



## Motor Data

Model	Rated Power (W)	Rated Voltage (V)	Frequency (Hz)	Rated Current (A)	Starting Torque (mNm)	Rated Torque (mNm)	Rated Speed (min <sup>-1</sup> )	Capacitor (μF)
5IK40-A	40	1ph 100	50   60	0.65   0.70	220	315   260	1250   1550	12.0
5IK40-E	40	1ph 110   1ph 120	60	0.55   0.60	220	260	1550	8.0
5IK40-C	40	1ph 220   1ph 230	50	0.35   0.40	220	315	1250	2.5
5IK40-H	40	1ph 220   1ph 230	60	0.35   0.40	220	260	1550	2.5
5IK40-S	40	3ph 220	50   60	0.30   0.25	800   660	315   250	1250   1550	–

Rel. Humidity: 20 bis 85% | Ambient Temp.: -10 bis +50°C | Net Weight Motor max. 2.4kg

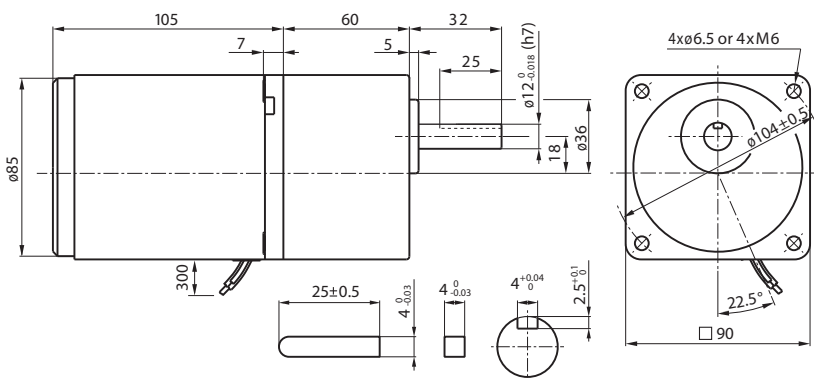
## Gearmotor Data (at 50 Hz)

Gear Ratio	3	3.6	5	6	7.5	9	10	12.5	15	18	20	25	30	36	40	50	60	75	90	100	120	150	180	200
Speed (min <sup>-1</sup> )	500	417	300	250	200	166	150	120	100	83	75	60	50	41	37	30	25	20	16	15	12.5	10	8.3	7.5
Rated Torque (Nm)	0.77	0.92	1.30	1.50	1.90	2.30	2.38	3.20	3.80	4.60	4.88	5.70	6.90	8.30	8.57	10.0	10.0	10.0	10.0	10.0	10.0	10.0	10.0	10.0

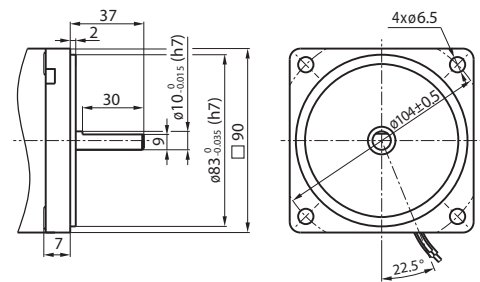
Radial Load (FR) from reduction 25:1 (10mm from face mounting): 300N | Axial Load (FA): 100N

Net Weight Gearbox max. 1.35kg

### Gearmotor



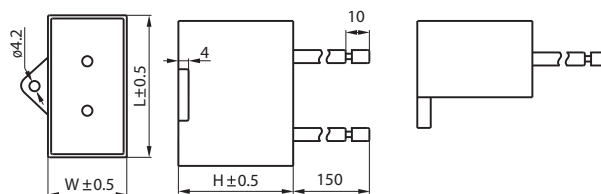
### Motor



(As a gearmotor the motor shaft is with pinion included.)

## Capacitor

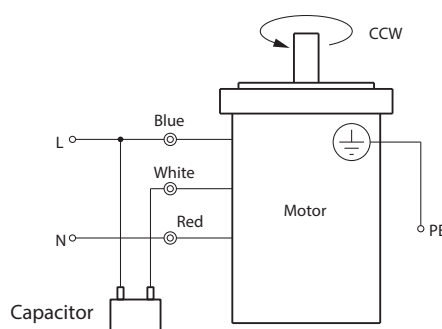
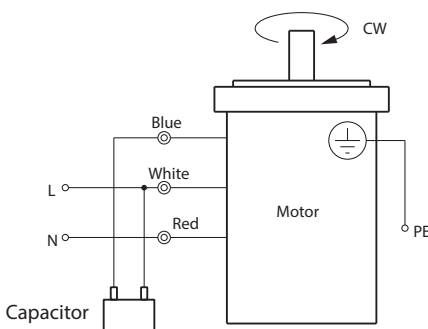
Capacitance (μF)	L	W	H
2.5	38	17.0	28
8.0	48	26.5	38
12.0	47	17.0	31



## Options

Terminal Box
Worm Gearbox
Bevel Gearbox
Brake

## Wiring Diagram: 5IK40-A, 5IK40-E, 5IK40-C, 5IK40-H



## 5IK40-S

