

AC Induction Motor Spur Gearbox Type ST104-6IK120



Motor Data

Model	Rated Power (W)	Rated Voltage (V)	Frequency (Hz)	Rated Current (A)	Starting Torque (mNm)	Rated Torque (mNm)	Rated Speed (min ⁻¹)	Capacitor (μF)
6IK120-AF	120	1ph 100	50 60	2.10 2.50	600	930 750	1250 1550	30.0
6IK120-EF	120	1ph 110 1ph 120	60	1.70 1.80	600	750	1550	20.0
6IK120-CF	120	1ph 220 1ph 230	50	0.95	750	930	1250	8.0
6IK120-HF	120	1ph 220 1ph 230	60	0.95 1.00	700	750	1550	8.0
6IK120-SF	120	3ph 220	50 60	0.75 0.70	2200 2000	890 730	1300 1600	–

Rel. Humidity: 20 bis 85% | Ambient Temp.: -10 bis +50 °C | Net Weight Motor max. 4.8 kg

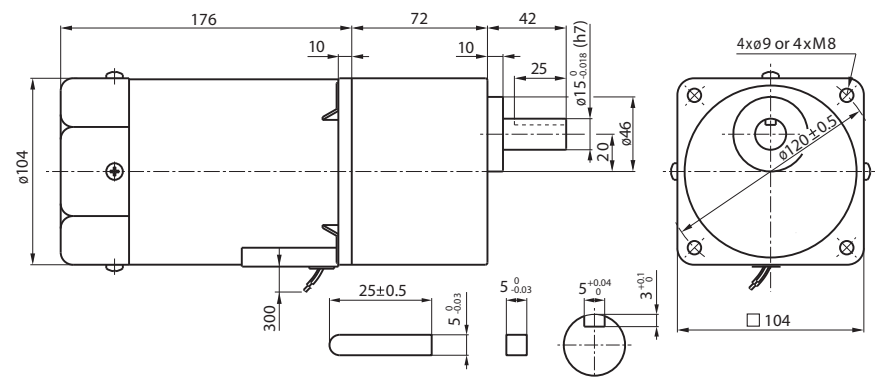
Gearmotor Data (at 50 Hz)

Gear Ratio	3	3.6	5	6	7.5	9	10	12.5	15	18	20	25	30	36	40	50	60	75	90	100	120	150	180	200
Speed (min ⁻¹)	500	417	300	250	200	166	150	120	100	83	75	60	50	41	37	30	25	20	16	15	12.5	10	8.3	7.5
Rated Torque (Nm)	2.30	2.70	3.80	4.50	5.60	6.80	6.68	8.50	10.2	12.2	12.0	15.3	18.4	22.1	24.0	30.7	36.8	40.0	40.0	40.0	40.0	40.0	40.0	40.0

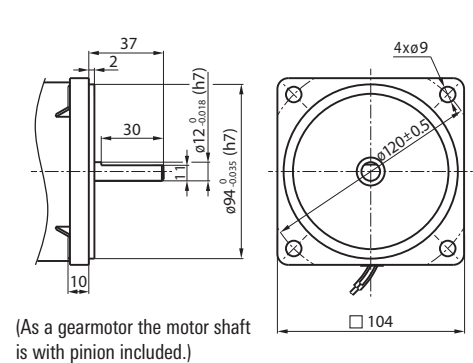
Radial Load (FR) from reduction 25: 1 (10 mm from face mounting): 1100 N | Axial Load (FA): 300 N

Net Weight Gearbox max. 2.1 kg

Gearmotor

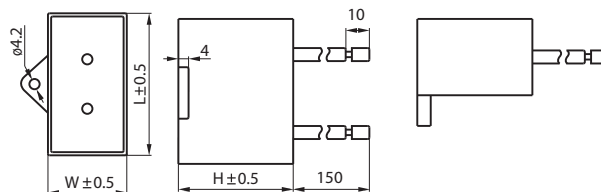


Motor



Capacitor

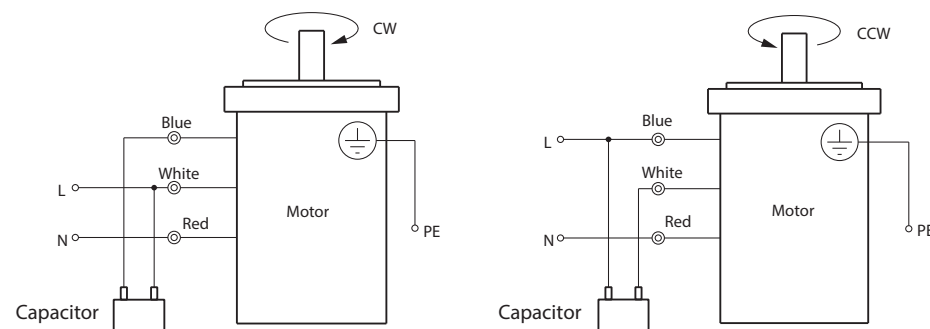
Capacitance (μF)	L	W	H
8.0	48	26.5	38
20.0	47	23.0	35
30.0	58	26.0	38



Options

Terminal Box
Worm Gearbox
Bevel Gearbox
Brake

Wiring Diagram: 6IK120-AF, 6IK120-EF, 6IK120-CF, 6IK120-HF



6IK120-SF

