

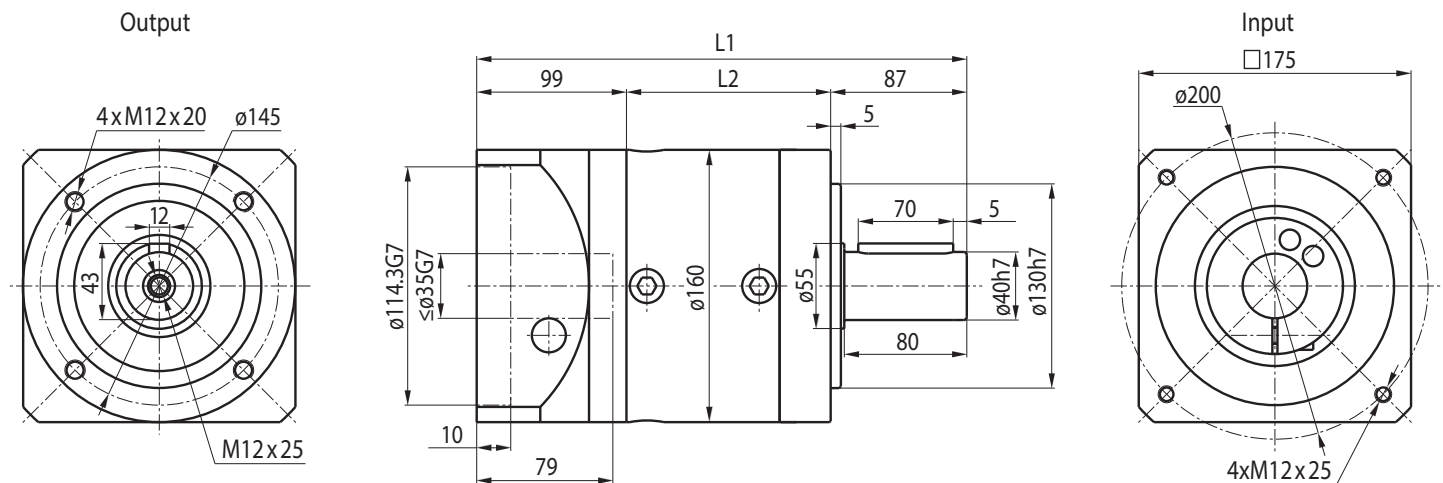
Low Backlash Planetary Gearbox for Servo Motors Type PL160ZDE

PowerTronic



Gear Ratio	3	4	5	8	10	12	15	16	20	25	32	40	64
Rated Torque (Nm)	400	450	450	400	305	700	700	800	800	700	800	700	400
Moment of Inertia (kg/cm ²)	12.14	7.78	6.07	4.63	3.52	7.47	6.65	7.47	6.65	5.81	4.5	4.5	4.5
No. of Stages	1	1	1	1	1	2	2	2	2	2	2	2	2
Length L1 (mm)	291						340.5						
Length L2 (mm)	104						153.5						

Protection Class: IP54 | Ambient Temp.: -25 to +90 °C | Net Weight max. 22 kg



Torsional Stiffness (Nm/arcmin)	Noise (dB [A])	Max. Input Speed (min ⁻¹)	Recommended Input Speed (min ⁻¹)	Life (h)
38	70	4500	3000	20000

	Backlash (arcmin)	Full Load Efficiency (%)
No. of Stages 1	<8	96
No. of Stages 2	<12	94

Radial Load (FR): 6000 N (10 mm from face mounting) | Axial Load (FA): 3000 N