

Motor Series **MTS4a**

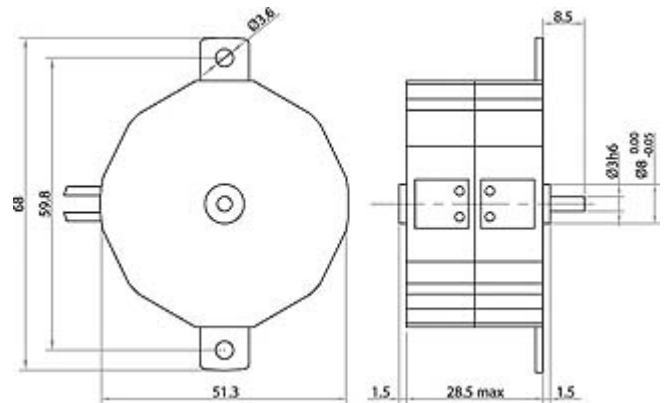
Stepper Motor 7.5°



Technical Data

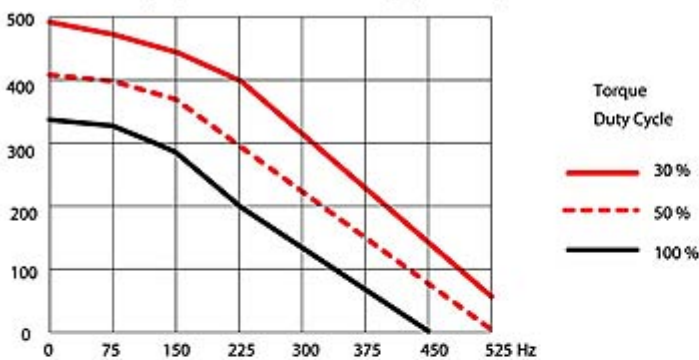
Steps/revolution				48
Winding type				bipolar
Rated Voltage	V	6	12	24
Resistance per winding	Ω	9.5	61	251
Winding type				unipolar
Rated Voltage	V	6	12	24
Resistance per winding	Ω	15	61	251
Winding temp.	$^{\circ}\text{C}$			105 max.
Holding torque	gm-cm	500(MTSB4b)	360(MTSU4b)	
Axial Force	gm			3
Lateral Force	gm			6
Rotor Inertia	gmc m^2			6

Drawing

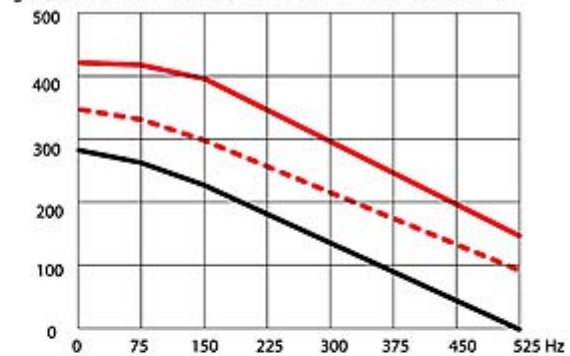


Torque Graphs

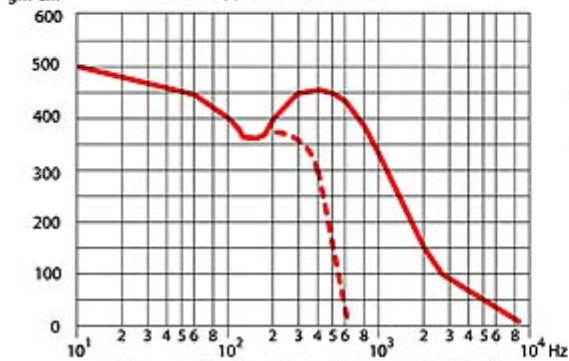
Start range (pull-in) with constant voltage power stage



Start range (pull-in) with constant voltage power stage

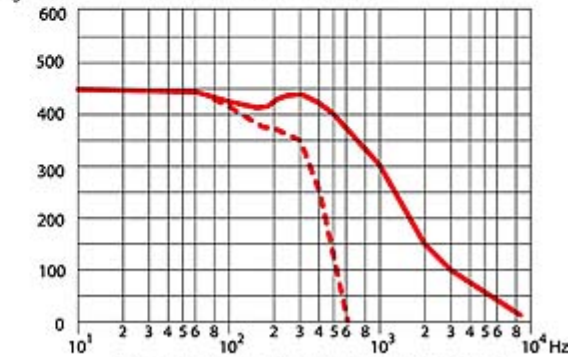


2-Phase stepper Motor MTSB4a



Slew range (pull-out) and start range (pull-in) with constant current power stage (chopper Drive)

4-Phase Stepper Motor MTSU4a



Slew range (pull-out) and start range (pull-in) with constant current power stage (chopper Drive)