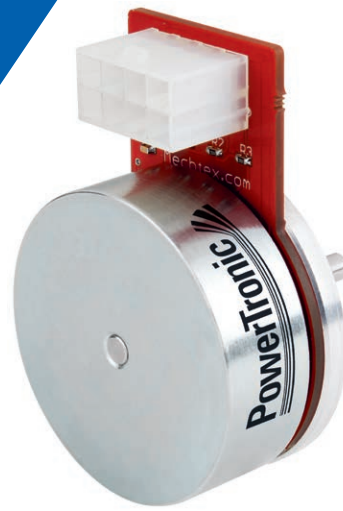


BLDC Motor Type BL44.22



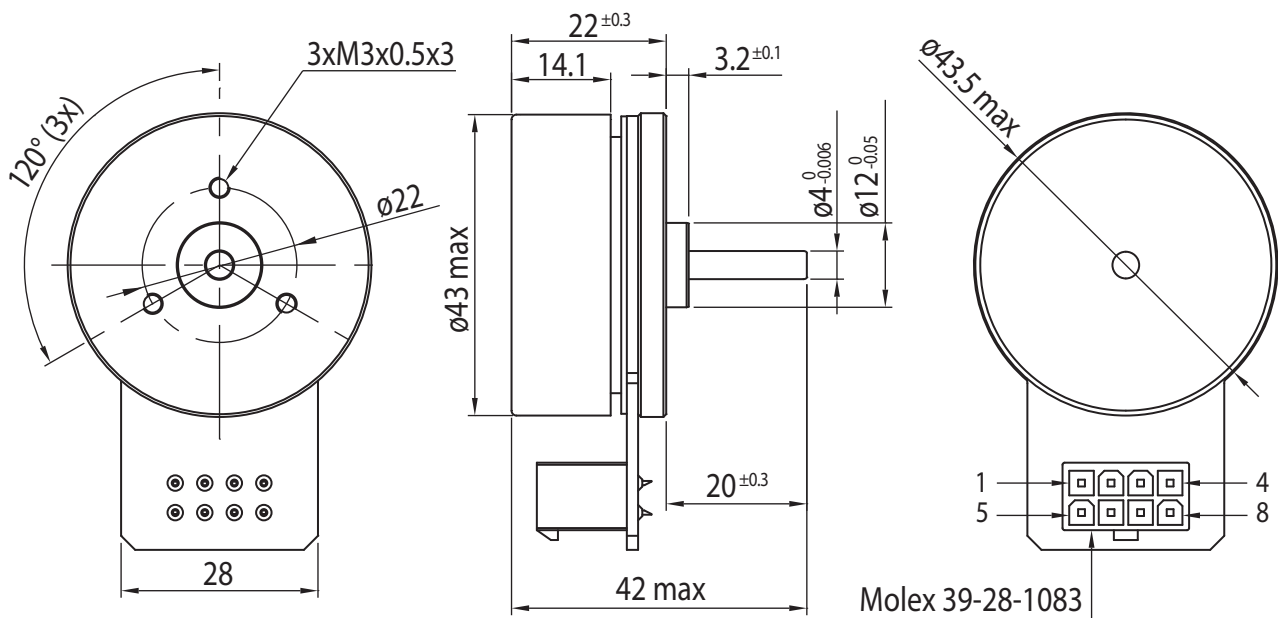
Technical Data

Rated Voltage (V)	24
Rated Speed (min ⁻¹)	4994
Rated Torque (Ncm)	8.3
Rated Power (W)	41
Rated Current (A)	2.3
No Load Speed (min ⁻¹)	6710
No Load Current	0.23
Stall Torque (Ncm)	78
Stall Current (A)	23.3
Rotor Inertia (gcm ²)	135
Resistance (Ω)	1.2
Inductance (mH)	0.48
Net Weight (g)	110
Insulation Class	E
Sensor Supply Range	4.2 - 24V
Protection	IP 40

Rel. Humidity: 20 to 85% | Ambient Temp.: -20 to +50 °C

Connections

Pin	Function
1	Hall Sensor 1
2	Hall Sensor 2
3	Voltage Hall 4.2 - 24V
4	Motor Winding 3
5	Hall Sensor 3
6	GND
7	Motor Winding 1
8	Motor Winding 2



Ball Bearing

Options

Rear Shaft	Special Voltage
Special Shaft	Gearbox