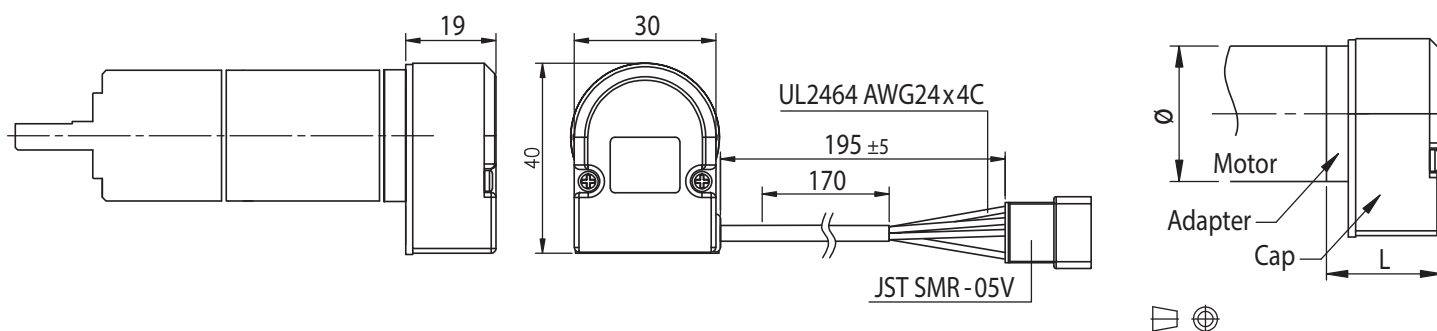


Encoder Optical Incremental Type Two Channels



Motor Diameter	Total Length L		Resolution
	Adapter	Cap	
28 mm	4.5 ± 0.5 mm	19 mm	100/200/ 256/360/ 400/500
36 mm	4.5 ± 0.5 mm	19 mm	
40 mm	–	19 mm	
42 mm	10 ± 0.5 mm	19 mm	

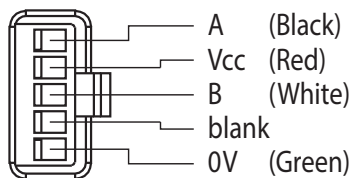
Rel. Humidity: 20 to 85% | Ambient Temp.: -10 to +60 °C



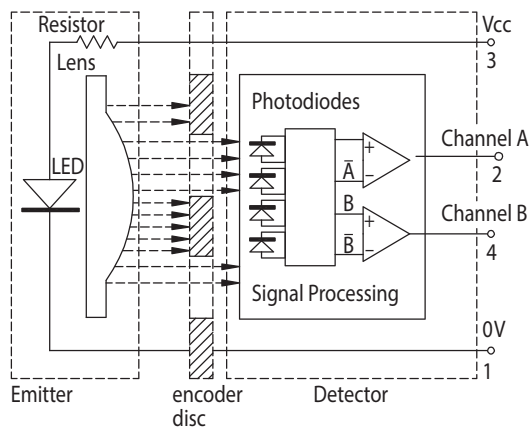
Technical Data

Supply Voltage	5V ± 10%
Output Signals	2 Square-Wave Signals, 90° phase-shifted
Output Current	±20 mA/Channel
Signal Rise Time	6 ns
Signal Fall Time	6 ns
Frequency	20 - 80 kHz
Capacitance	100 pf

Output Circuit



Circuit Diagram



Output Signal

