

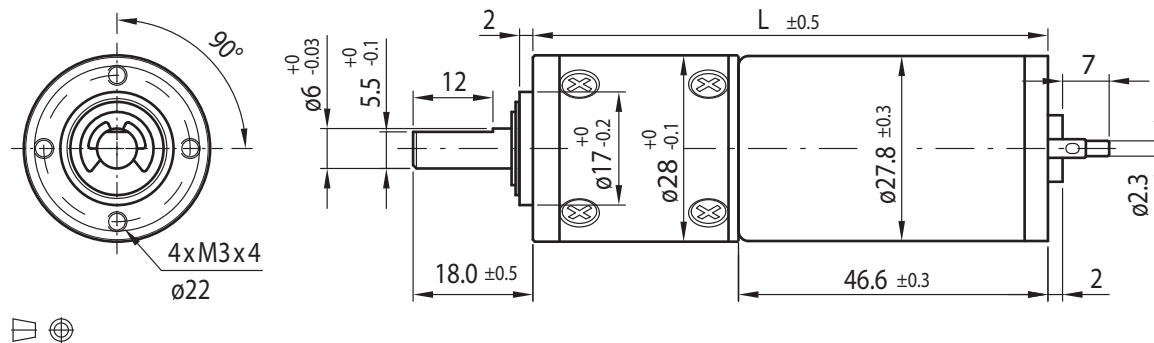
DC Motor Planetary Gearbox Type PL28-DC28.47



Gearmotor

Gear Ratio	5	14	19	27	35	51	71	100	139	189	264	516	721	939
12V	Rated Torque (Ncm)	3.2	7.5	10	14	19	24	33	47	66	74	100	100	100
	Rated Speed (min ⁻¹)	1000	375	270	193	148	102	73	52	37	28	20	11	8
24V	Rated Torque (Ncm)	3.8	9	12	17	23	28	40	56	78	88	100	100	100
	Rated Speed (min ⁻¹)	990	370	265	191	147	101	72	52	37	27	19	10	7
Length L (mm)		71.1	77.5	77.5	77.5	77.5	83.9	83.9	83.9	83.9	90.3	90.3	90.3	90.3

Rel. Humidity: 20 to 85% | Ambient Temp.: -10 to +60°C | Net Weight max. 200g

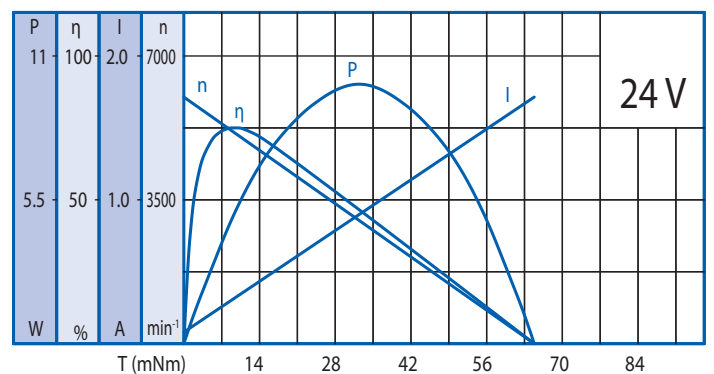
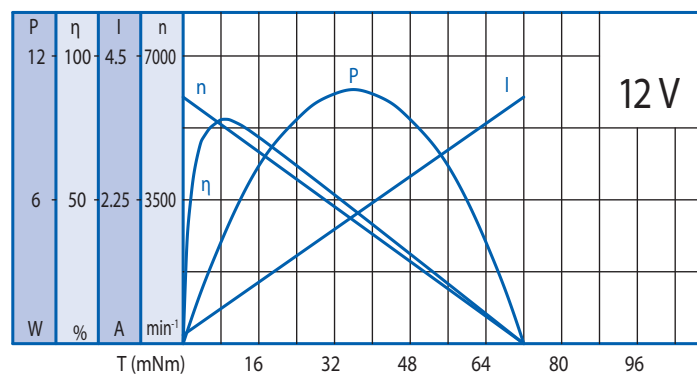


Options

Encoder
EMC Filter
Leads
Connector
Special Shaft
Special Voltage

Motor

Rated Voltage (V)	Rated Torque (Ncm)	Rated Speed (min ⁻¹)	Rated Current (mA)	No Load Speed (min ⁻¹)	No Load Current (mA)	Rated Power (W)
12	0.79	5200	≤ 500	6000	≤ 130	4.22
24	0.94	5140	≤ 300	6000	≤ 80	4.96



Gearbox

Gear Ratio	5	14	19	27	35	51	71	100	139	189	264	516	721	939
Max. Rated Torque (Ncm)	20	30	30	40	40	60	60	80	80	100	100	100	100	100
Max. Peak Torque (Ncm)	60	90	90	120	120	180	180	240	240	300	300	300	300	300

Ball Bearing

Radial Load (FR): 35 N (10mm from face mounting) | Axial Load (FA): 25 N