

BLDC Motor Planetary Gearbox Type PL72Z-BL72.107

PowerTronic

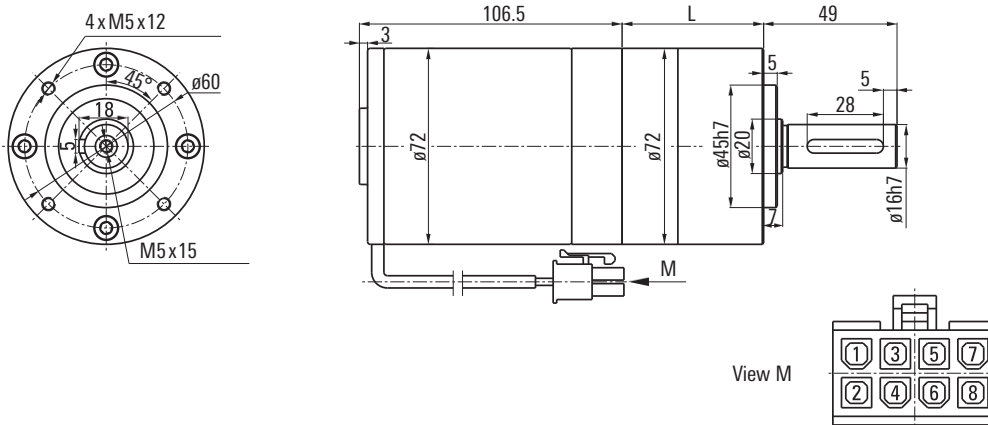


- High Torque
- Low Noise
- Long Life

Gearmotor

Gear Ratio	3.65	5.36	6.55	8.63	14	19	25	28	34	45	58	67	81	91	103	119	128	146	165	192	232	302	393
Rated Speed (min ⁻¹)	822	560	458	348	222	159	122	107	89	67	52	45	37	33	29	25	24	21	18	16	13	9.9	7.6
Rated Torque (Ncm)	125	184	225	297	433	588	774	866	1052	1392	1795	1868	2259	2538	2872	3318	3569	4071	4601	5354	6470	8400	8400
Reduction Stage	1	1	1	1	2	2	2	2	2	2	2	3	3	3	3	3	3	3	3	3	3	3	3

Rel. Humidity: 20 to 85% | Ambient Temp.: -10 to +80°C | Net Weight max. 3.9kg



No. of Stages	Gear Ratio	Length (mm)
1	3.65 - 8.63	52
2	14 - 58	72.15
3	67 - 393	92.3

1	2	3	4	5	6	7	8
U	V	W	GND	Hv	Hw	Hu	+Vcc

Motor

Model	Rated Voltage V	Rated Power W	No Load Current A	No Load Speed min ⁻¹	Rated Current A	Rated Speed min ⁻¹	Rated Torque Ncm
24120-30S	24	120	0.8	3700	6.6	3000	38.2

Gearbox

Helical Gearing

No. of Stages	1	2	3
Max. Rated Torque (Ncm)	1400	4200	8400
Max. Peak Torque (Ncm)	2800	8400	16800

Ball Bearing Radial Load (FR): 760 N | Axial Load (FA): 160 N