

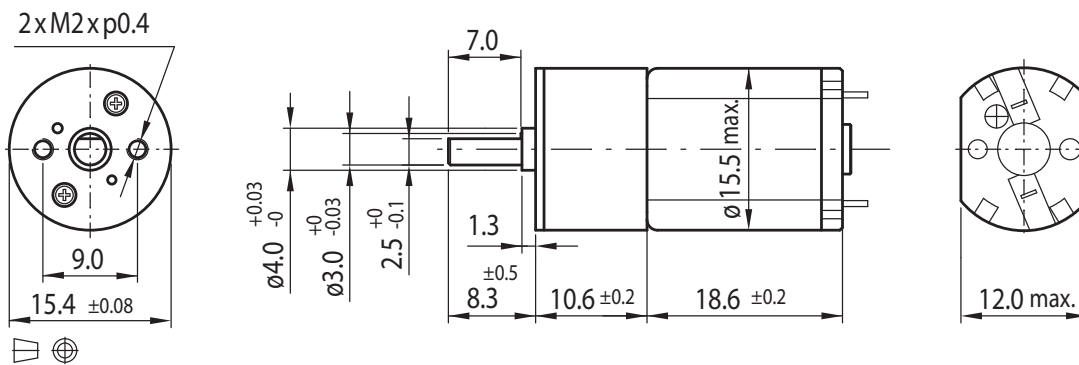
DC Motor Spur Gearbox Type SZ15-DC16.19



Gearmotor

Gear Ratio		10	21	34	59	75	105	146	203	257	294	360
6V	Rated Torque (Ncm)	0.3	0.6	1	1.55	2	2.7	3.4	4.7	6	6.9	8.4
	Rated Speed (min ⁻¹)	950	445	270	160	125	91	65	47	37	32	26
12V	Rated Torque (Ncm)	0.35	0.7	1.1	1.75	2.2	3.1	3.8	5.3	6.8	7.8	9.5
	Rated Speed (min ⁻¹)	870	400	255	145	116	83	59	43	34	29	24

Rel. Humidity: 20 to 85% | Ambient Temp.: -10 to +60°C | Net Weight max. 16g

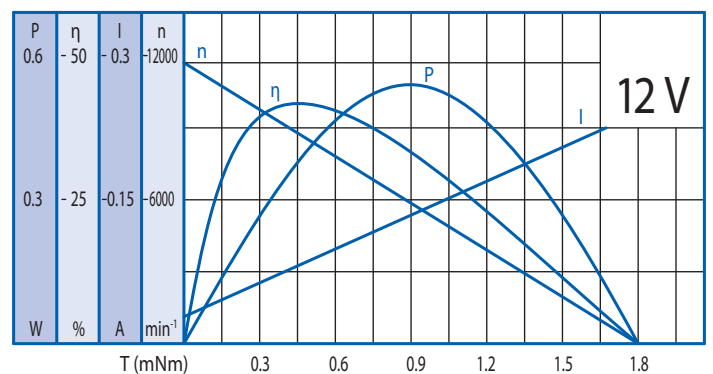
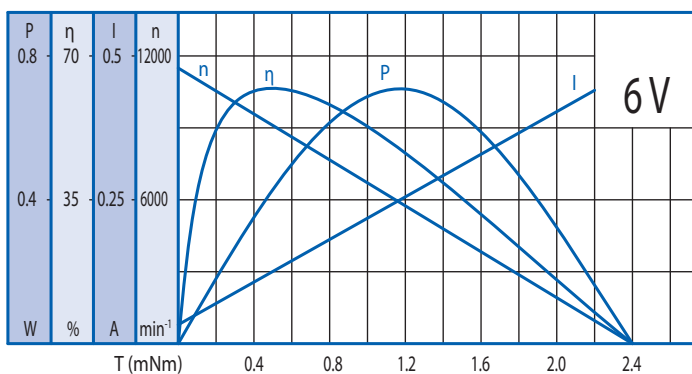


Options

Encoder
Rear Shaft
EMC Filter
Leads
Connector
Special Shaft
Special Voltage

Motor

Rated Voltage (V)	Rated Torque (Ncm)	Rated Speed (min ⁻¹)	Rated Current (mA)	No Load Speed (min ⁻¹)	No Load Current (mA)	Rated Power (W)
6	0.04	9600	≤140	11500	≤50	0.39
12	0.045	8750	≤100	11700	≤30	0.4



Gearbox

Gear Ratio	10	21	34	59	75	105	146	203	257	294	360
Max. Rated Torque (Ncm)	2	3	3	5	5	8	8	10	10	10	10
Max. Peak Torque (Ncm)	6	9	9	15	15	24	24	30	30	30	30

Radial Load (FR): 4 N (5 mm from face mounting) | Axial Load (FA): 2 N