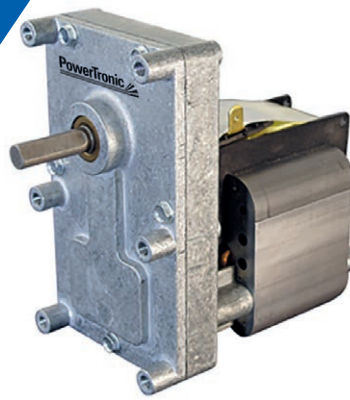


AC-Motor Spaltpolmotor Typ SF70.119-SP61



PowerTronic

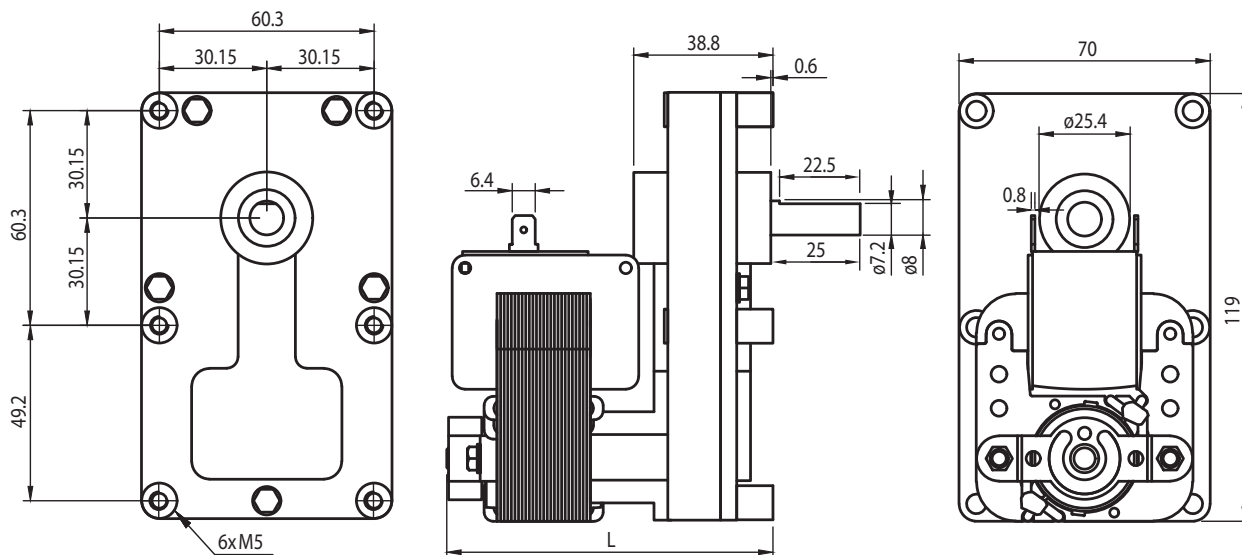
Getriebemotor

| Modell | Untersetzung | Nenn Drehzahl (min ⁻¹) | Nennmoment (Nm) | Länge L (mm) | Nettogewicht (kg) |
|------------------|--------------|------------------------------------|-----------------|--------------|-------------------|
| SF70.119-SP61.19 | 3562.5 | 0.8 | 35 | 84 | 1.4 |
| SF70.119-SP61.19 | 2850 | 1 | 35 | 84 | 1.4 |
| SF70.119-SP61.19 | 2192.3 | 1.3 | 35 | 84 | 1.4 |
| SF70.119-SP61.19 | 1900 | 1.5 | 35 | 84 | 1.4 |
| SF70.119-SP61.26 | 1425 | 2 | 35 | 91 | 1.6 |
| SF70.119-SP61.32 | 890.63 | 3.2 | 35 | 97 | 1.8 |
| SF70.119-SP61.38 | 600 | 4.75 | 33.6 | 103 | 2.0 |
| SF70.119-SP61.38 | 537.74 | 5.3 | 30 | 103 | 2.0 |
| SF70.119-SP61.51 | 407.14 | 7 | 22.8 | 116 | 2.4 |
| SF70.119-SP61.51 | 285 | 10 | 16 | 116 | 2.4 |
| SF70.119-SP61.51 | 237.5 | 12 | 13.3 | 116 | 2.4 |
| SF70.119-SP61.51 | 142.5 | 20 | 8 | 116 | 2.4 |
| SF70.119-SP61.51 | 118.75 | 24 | 6.7 | 116 | 2.4 |
| SF70.119-SP61.51 | 95 | 30 | 5.3 | 116 | 2.4 |
| SF70.119-SP61.51 | 81.42 | 35 | 4.6 | 116 | 2.4 |
| SF70.119-SP61.51 | 51.82 | 55 | 2.9 | 116 | 2.4 |

Optionen

| |
|----------------|
| Encoder |
| Sonderwelle |
| Sonderspannung |
| Litzen |
| Bremse |
| Lüfter |

Rel. Luftfeuchtigkeit: 20 bis 85% | Umgebungtemp.: -10 bis +125 °C



Motor

| Modell | Nennleistung (W) | Nennspannung (V) | Frequenz (Hz) | Nennstrom (A) | Anlaufmoment (mNm) | Nenn Drehzahl (min ⁻¹) |
|---------|------------------|------------------|---------------|---------------|--------------------|------------------------------------|
| SP61.19 | 24 | 230 | 50 | 0.22 | 9.9 | 2850 |
| SP61.26 | 32 | 230 | 50 | 0.34 | 17.4 | 2850 |
| SP61.32 | 32 | 230 | 50 | 0.35 | 19.7 | 2850 |
| SP61.38 | 40 | 230 | 50 | 0.35 | 21.6 | 2850 |
| SP61.51 | 56 | 230 | 50 | 0.55 | 30.8 | 2850 |

Radiallast (FR): 150 N (10 mm v. Flansch) Axiallast (FA): 75 N