

# AC-Motor Shaded Pole Motor Type SF60.90-SP61

PowerTronic



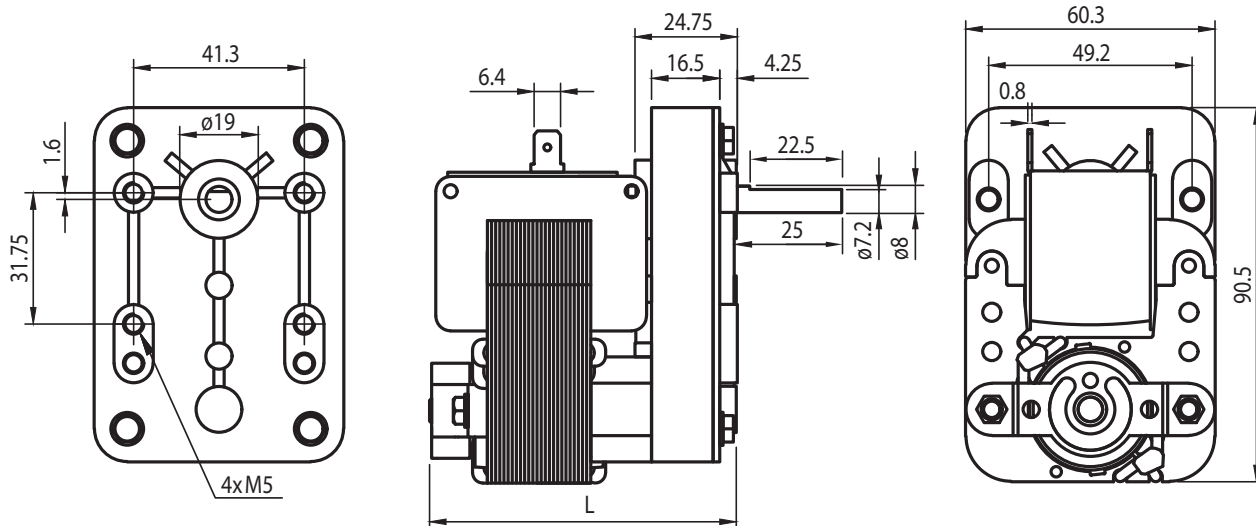
## Gearmotor

Model	Gear Ratio	Rated Speed (min <sup>-1</sup> )	Rated Torque (Nm)	Length L (mm)	Net Weight (kg)
SF60.90-SP61.26	190	15	8	76	0.9
SF60.90-SP61.32	142.5	20	8	82	1.1
SF60.90-SP61.38	95	30	5.3	88	1.3
SF60.90-SP61.38	71.25	40	4	88	1.3
SF60.90-SP61.38	54.8	52	3.1	88	1.3
SF60.90-SP61.38	40.71	70	2.3	88	1.3
SF60.90-SP61.38	34.76	82	2.0	88	1.3
SF60.90-SP61.38	28.5	100	1.6	88	1.3
SF60.90-SP61.51	20.36	140	1.1	101	1.7
SF60.90-SP61.51	16.29	175	0.9	101	1.7
SF60.90-SP61.51	14.25	200	0.8	101	1.7
SF60.90-SP61.51	11.88	240	0.7	101	1.7
SF60.90-SP61.51	8.77	325	0.5	101	1.7

Rel. Humidity: 20 bis 85% | Ambient Temp.: -10 bis +125 °C

## Options

Encoder
Special Shaft
Special Voltage
Leads
Brake
Fan



## Motor

Model	Rated Power (W)	Rated Voltage (V)	Frequency (Hz)	Rated Current (A)	Starting Torque (mNm)	Rated Speed (min <sup>-1</sup> )
SP61.26	32	230	50	0.34	17.4	2850
SP61.32	32	230	50	0.35	19.7	2850
SP61.38	40	230	50	0.35	21.6	2850
SP61.51	56	230	50	0.55	30.8	2850

Radial Load (FR): 150 N (10 mm from face mounting) Axial Load (FA): 75 N