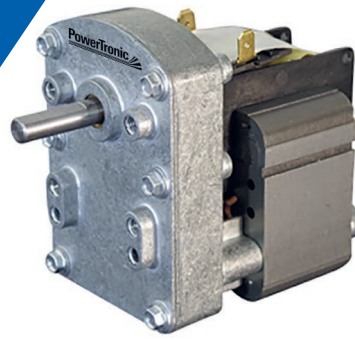


AC-Motor Shaded Pole Motor Typ SF64.92-SP61



PowerTronic

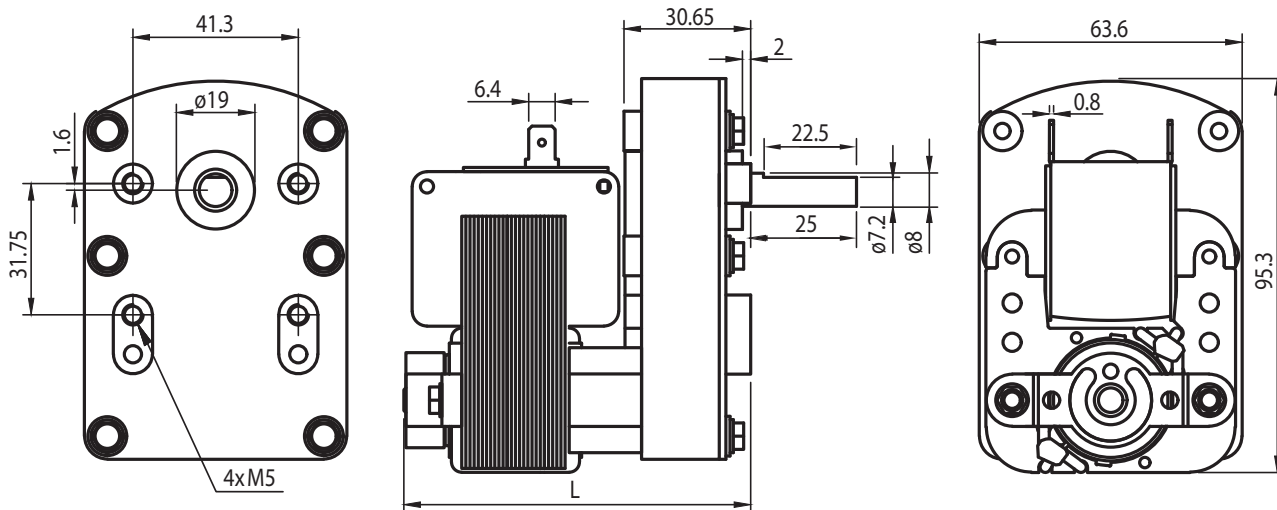
Gearmotor

Model	Gear Ratio	Rated Speed (min ⁻¹)	Rated Torque (Nm)	Length L (mm)	Net Weight (kg)
SF64.92-SP61.19	1187.5	2.4	8	79	0.8
SF64.92-SP61.19	770.27	3.7	8	79	0.8
SF64.92-SP61.19	606.38	4.7	8	79	0.8
SF64.92-SP61.25	475	6	8	85	1.0
SF64.92-SP61.25	356.25	8	8	85	1.0
SF64.92-SP61.32	219.23	13	8	85	1.0
SF64.92-SP61.32	158.33	18	8	92	1.2
SF64.92-SP61.38	118.75	24	6.7	98	1.4
SF64.92-SP61.38	79.17	36	4.4	98	1.4
SF64.92-SP61.38	63.33	45	3.6	98	1.4
SF64.92-SP61.38	47.5	60	2.7	98	1.4
SF64.92-SP61.38	35.63	80	2	98	1.4
SF64.92-SP61.51	23.75	120	1.3	111	1.8
SF64.92-SP61.51	16.29	175	0.9	111	1.8

Rel. Humidity: 20 bis 85% | Ambient Temp.: -10 bis +125 °C

Options

Encoder
Special Shaft
Special Voltage
Leads
Brake
Fan



Motor

Model	Rated Power (W)	Rated Voltage (V)	Frequency (Hz)	Rated Current (A)	Starting Torque (mNm)	Rated Speed (min ⁻¹)
SP61.19	24	230	50	0.22	9.9	2850
SP61.26	32	230	50	0.34	17.4	2850
SP61.32	32	230	50	0.35	19.7	2850
SP61.38	40	230	50	0.35	21.6	2850
SP61.51	56	230	50	0.55	30.8	2850

Radial Load (FR): 150 N (10 mm from face mounting) Axial Load (FA): 75 N