

# AC Induction Motor Spur Gearbox Type ST70-3IK15



## Motor Data

Model	Rated Power (W)	Rated Voltage (V)	Frequency (Hz)	Rated Current (A)	Starting Torque (mNm)	Rated Torque (mNm)	Rated Speed (min <sup>-1</sup> )	Capacitor (μF)
3IK15-A	15	1ph 100	50   60	0.35   0.33	90   85	125   105	1200   1450	6.0
3IK15-E	15	1ph 110   1ph 120	60	0.30   0.32	65	105	1450	5.0
3IK15-C	15	1ph 220   1ph 230	50	0.18   0.20	90	125	1200	1.2
3IK15-H	15	1ph 220   1ph 230	60	0.16   0.15	65   70	105	1450	1.2
3IK15-S	15	3ph 220	50   60	0.14   0.12	220   180	125   105	1200   1450	–
3IK15-S3	15	3ph 380	50   60	0.08   0.07	220   180	125   105	1200   1450	–

Rel. Humidity: 20 bis 85% | Ambient Temp.: -10 bis +50 °C | Net Weight Motor max. 1.1 kg

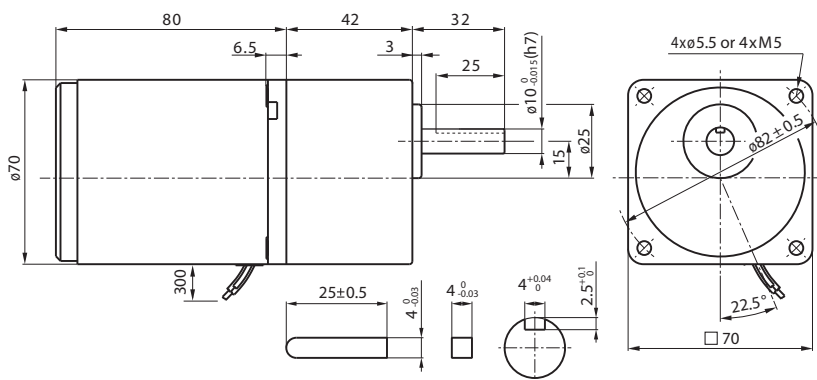
## Gearmotor Data (at 50 Hz)

Gear Ratio	3	3.6	5	6	7.5	9	10	12.5	15	18	20	25	30	36	40	50	60	75	90	100	120	150	180	200
Speed (min <sup>-1</sup> )	500	417	300	250	200	166	150	120	100	83	75	60	50	41	37	30	25	20	16	15	12.5	10	8.3	7.5
Rated Torque (Nm)	0.30	0.36	0.51	0.61	0.76	0.91	0.97	1.30	1.50	1.80	1.94	2.30	2.70	3.30	3.48	4.10	5.00	5.00	5.00	5.00	5.00	5.00	5.00	5.00

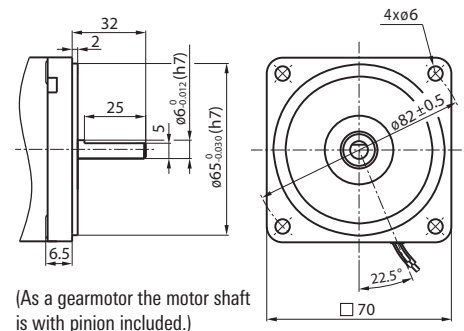
Radial Load (FR) from reduction 25:1 (10 mm from face mounting): 150 N | Axial Load (FA): 40 N

Net Weight Gearbox max. 0.5 kg

### Gearmotor

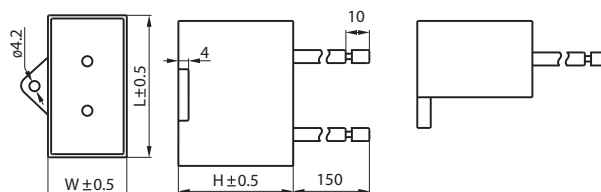


### Motor



## Capacitor

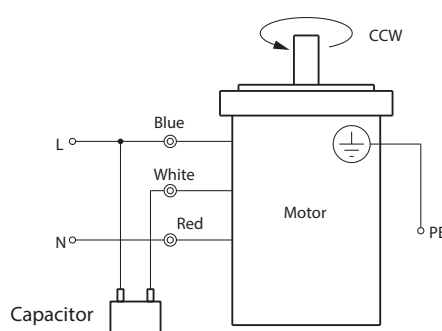
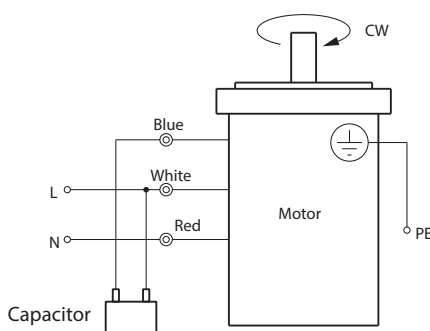
Capacitance (μF)	L	W	H
1.2	36	12	22
5.0	47	20	31
6.0	48	23	32



## Options

Terminal Box
Worm Gearbox
Bevel Gearbox
Brake

## Wiring Diagram: 3IK15-A, 3IK15-E, 3IK15-C, 3IK15-H



## 3IK15-S(S3)

