

AC Induction Motor Spur Gearbox Type ST80-4IK25



Motor Data

| Model | Rated Power (W) | Rated Voltage (V) | Frequency (Hz) | Rated Current (A) | Starting Torque (mNm) | Rated Torque (mNm) | Rated Speed (min ⁻¹) | Capacitor (µF) |
|---------|-----------------|-------------------|----------------|-------------------|-----------------------|--------------------|----------------------------------|----------------|
| 4IK25-A | 25 | 1ph 100 | 50 60 | 0.50 0.55 | 120 | 200 165 | 1250 1550 | 8.0 |
| 4IK25-E | 25 | 1ph 110 1ph 120 | 60 | 0.45 0.50 | 120 | 165 | 1550 | 7.0 |
| 4IK25-C | 25 | 1ph 220 1ph 230 | 50 | 0.25 0.23 | 120 | 200 | 1250 | 1.8 |
| 4IK25-H | 25 | 1ph 220 1ph 230 | 60 | 0.23 | 120 | 165 | 1550 | 1.8 |
| 4IK25-S | 25 | 3ph 220 | 50 60 | 0.185 0.170 | 350 250 | 200 165 | 1250 1550 | – |

Rel. Humidity: 20 bis 85% | Ambient Temp.: -10 bis +50°C | Net Weight Motor max. 1.6 kg

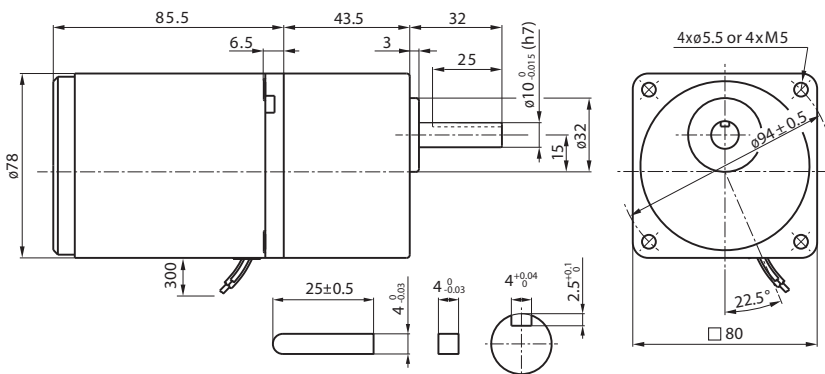
Gearmotor Data (at 50 Hz)

| Gear Ratio | 3 | 3.6 | 5 | 6 | 7.5 | 9 | 10 | 12.5 | 15 | 18 | 20 | 25 | 30 | 36 | 40 | 50 | 60 | 75 | 90 | 100 | 120 | 150 | 180 | 200 |
|----------------------------|------|------|------|------|------|------|------|------|------|------|------|------|------|------|------|------|------|------|------|------|------|------|------|------|
| Speed (min ⁻¹) | 500 | 417 | 300 | 250 | 200 | 166 | 150 | 120 | 100 | 83 | 75 | 60 | 50 | 41 | 37 | 30 | 25 | 20 | 16 | 15 | 12.5 | 10 | 8.3 | 7.5 |
| Rated Torque (Nm) | 0.49 | 0.58 | 0.81 | 0.97 | 1.20 | 1.50 | 1.55 | 2.00 | 2.40 | 2.90 | 3.17 | 3.70 | 4.40 | 5.30 | 5.57 | 6.60 | 7.90 | 8.00 | 8.00 | 8.00 | 8.00 | 8.00 | 8.00 | 8.00 |

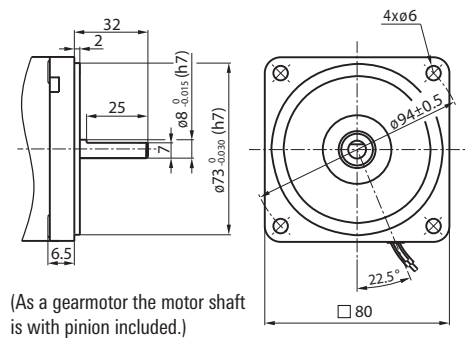
Radial Load (FR) from reduction 25: 1 (10 mm from face mounting): 200 N | Axial Load (FA): 50 N

Net Weight Gearbox max. 0.8 kg

Gearmotor

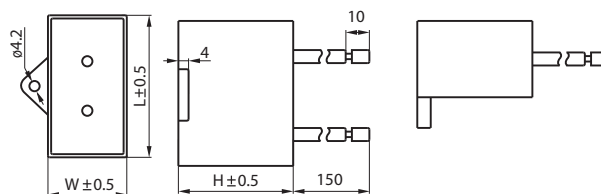


Motor



Capacitor

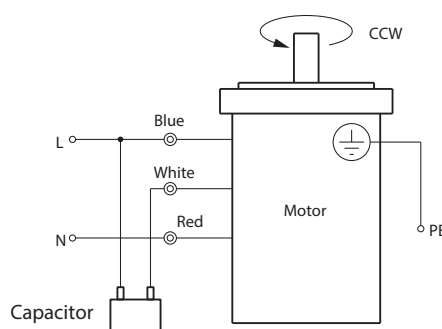
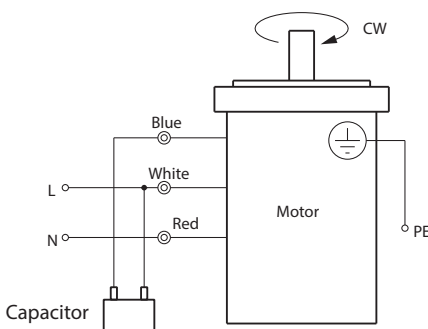
| Capacitance (µF) | L | W | H |
|------------------|----|------|----|
| 1.8 | 36 | 13.5 | 24 |
| 7.0 | 47 | 24.0 | 37 |
| 8.0 | 48 | 26.5 | 38 |



Options

| |
|---------------|
| Terminal Box |
| Worm Gearbox |
| Bevel Gearbox |
| Brake |

Wiring Diagram: 4IK25-A, 4IK25-E, 4IK25-C, 4IK25-H



4IK25-S

