

BLDC Motor Type BL32.24



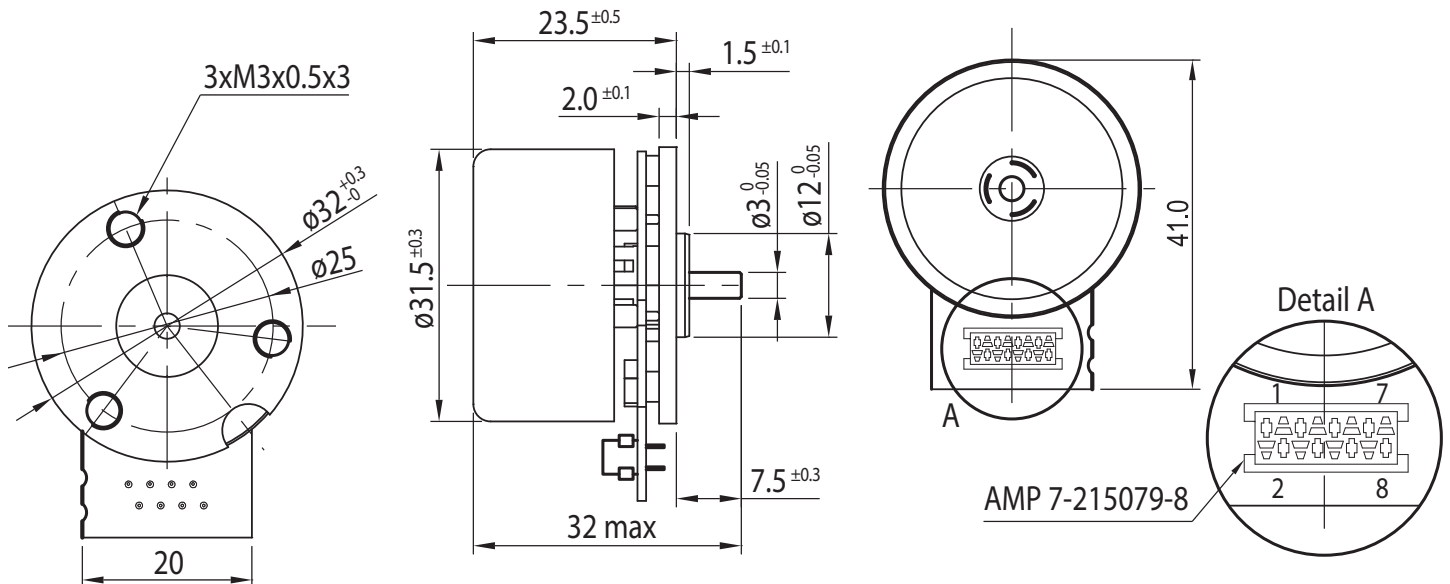
Technical Data

Rated Voltage (V)	24
Rated Speed (min ⁻¹)	3750
Rated Torque (Ncm)	0.6
Rated Power (W)	2.16
Rated Current (A)	0.15
No Load Speed (min ⁻¹)	5300
No Load Current	0.045
Stall Torque (Ncm)	2.4
Stall Current (A)	0.45
Rotor Inertia (gcm ²)	4.9
Resistance (Ω)	49
Inductance (mH)	26
Net Weight (g)	60
Insulation Class	E
Sensor Supply Range	4.2-24V
Protection	IP 40

Rel. Humidity: 20 to 85% | Ambient Temp.: -20 to +50 °C

Connections

Pin	Function
1	GND
2	Hall Sensor 3
3	Voltage Hall 4.2-24V
4	Hall Sensor 2
5	Hall Sensor 1
6	Motor Winding 3
7	Motor Winding 2
8	Motor Winding 1



Ball Bearing

Options

Rear Shaft	Special Voltage
Special Shaft	Gearbox