

# BLDC Motor Type BL32R



## Technical Data

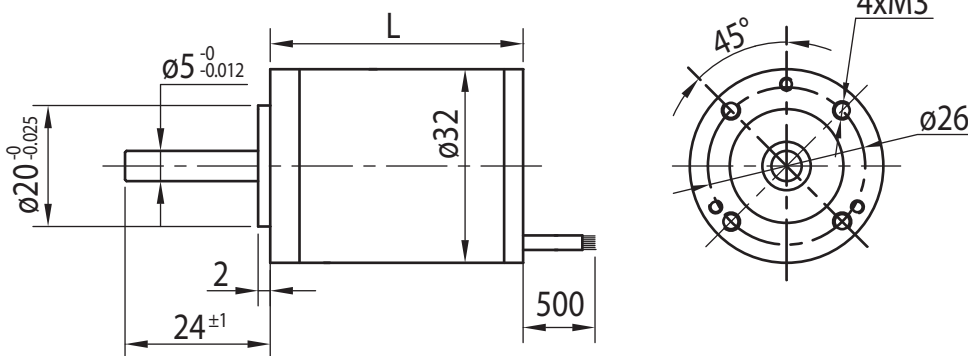
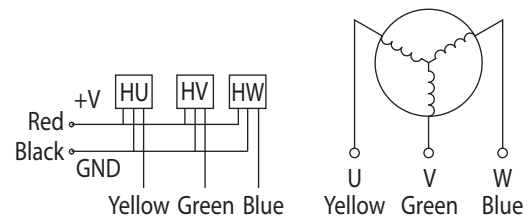
Model	BL32.55R	BL32.78R
Rated Voltage (V)	24	24
Rated Speed (min <sup>-1</sup> )	3000	3000
Rated Torque (Ncm)	4	8
Rated Power (W)	12.5	25
Rated Current (A)	0.8	1.6
Peak Current (A)	2.4	4.8
Peak Torque (Ncm)	12	24
Rotor Inertia (gcm <sup>2</sup> )	20	30
Torque Constant (Ncm/A)	5	5
Back EMF (V/min <sup>-1</sup> )	4.5	4.5
Resistance (Ω)	2.5	3.4
Inductance (mH)	1.1	1.3
Length (mm)	55	78
Net Weight (kg)	0.22	0.3
No. of Poles	8	
No. of Phases	3	
Insulation Class	B	

Rel. Humidity: 20 to 85% | Ambient Temp.: -20 to +50°C

## Connections

UL1007 AWG26	
Red	Vcc
Yellow	Ha
Green	Hb
Blue	Hc
Black	GND

UL3266 AWG22	
Yellow	U
Green	V
Blue	W



## Options

Encoder	Special Shaft
Rear Shaft	Special Voltage
Connector	Insulation Class F/H