

# BLDC Motor Type BL42R



## Technical Data

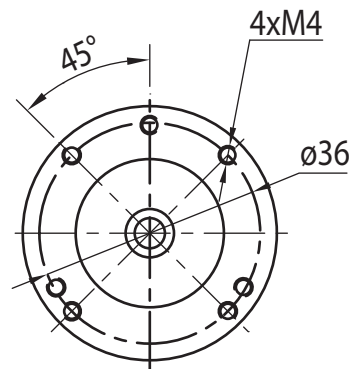
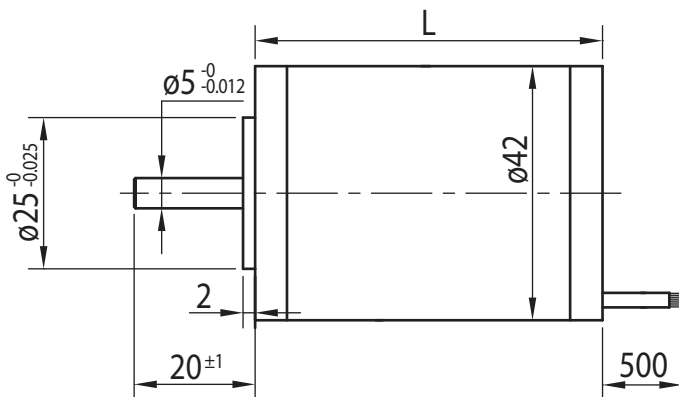
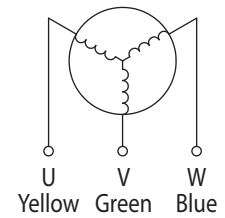
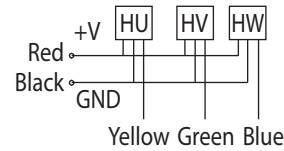
Model	BL42.52R	BL42.72R	BL42.92R
Rated Voltage (V)	24	24	24
Rated Speed (min <sup>-1</sup> )	3000	3000	3000
Rated Torque (Ncm)	9	18	27
Rated Power (W)	28	56	84
Rated Current (A)	1.7	3.4	5.4
Peak Current (A)	5.1	10.2	16
Peak Torque (Ncm)	27	54	81
Rotor Inertia (gcm <sup>2</sup> )	250	350	450
Torque Constant (Ncm/A)	5	5	5
Back EMF (V/min <sup>-1</sup> )	5.23	5.23	5.23
Resistance (Ω)	6	4	3
Inductance (mH)	4	3	2
Length (mm)	52	72	92
Net Weight (kg)	0.28	0.48	0.68
No. of Poles	8		
No. of Phases	3		
Insulation Class	B		

Rel. Humidity: 20 to 85% | Ambient Temp.: -20 to +50 °C

## Connections

UL1007 AWG26	
Red	Vcc
Yellow	Ha
Green	Hb
Blue	Hc
Black	GND

UL3266 AWG22	
Yellow	U
Green	V
Blue	W



## Options

Encoder	Special Shaft
Rear Shaft	Special Voltage
Connector	Insulation Class F/H