

BLDC Motor Type BL61S



Technical Data

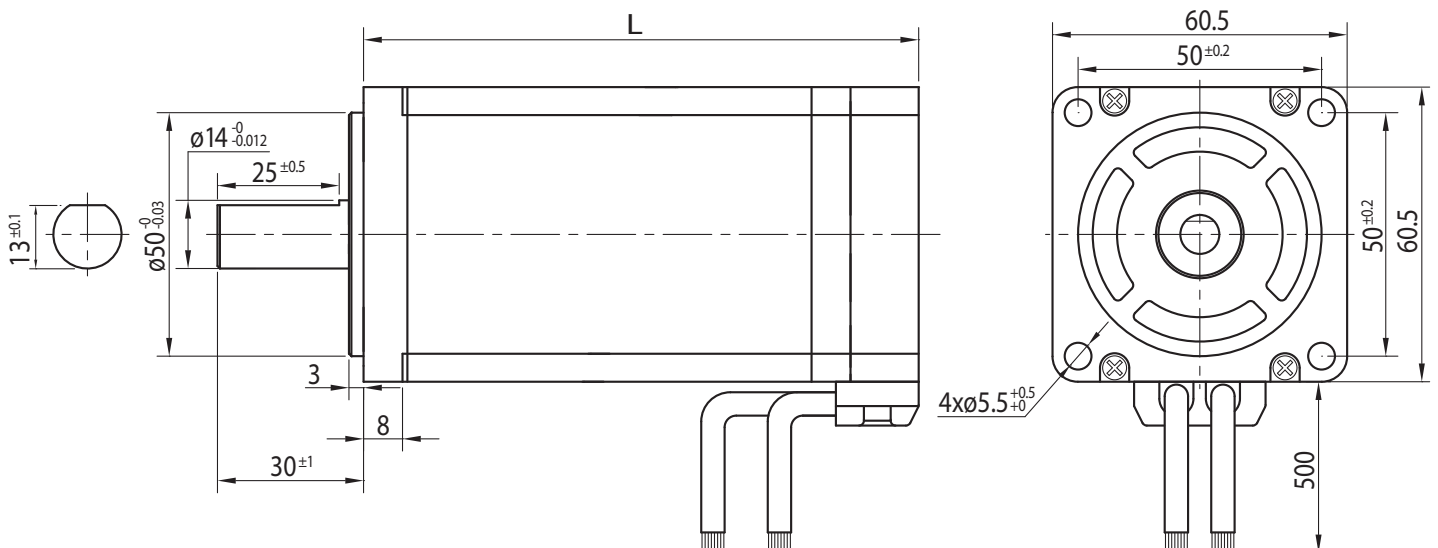
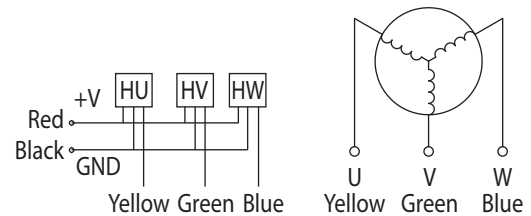
Model	BL61.66S	BL61.87S	BL61.108S
Rated Voltage (V)	48	48	48
Rated Speed (min ⁻¹)	3000	3000	3000
Rated Torque (Ncm)	25	50	75
Rated Power (W)	78	156	234
Rated Current (A)	2.2	4.4	6.6
Peak Current (A)	6.6	13.2	19.8
Peak Torque (Ncm)	75	150	225
Rotor Inertia (gcm ²)	500	900	1300
Torque Constant (Ncm/A)	11	11	11
Back EMF (V/min ⁻¹)	10.5	10.5	10.5
Resistance (Ω)	1.5	0.6	0.5
Inductance (mH)	1.3	0.65	0.4
Length (mm)	66	87	108
Net Weight (kg)	0.9	1.25	1.6
No. of Poles	8		
No. of Phases	3		
Insulation Class	B		

Rel. Humidity: 20 to 85% | Ambient Temp.: -20 to +50 °C

Connections

UL1007 AWG26	
Red	Vcc
Yellow	Ha
Green	Hb
Blue	Hc
Black	GND

UL3266 AWG22	
Yellow	U
Green	V
Blue	W



Options

Encoder	Special Shaft
Rear Shaft	Special Voltage
Connector	Insulation Class F/H