

BLDC Motor Type BL80S



Technical Data

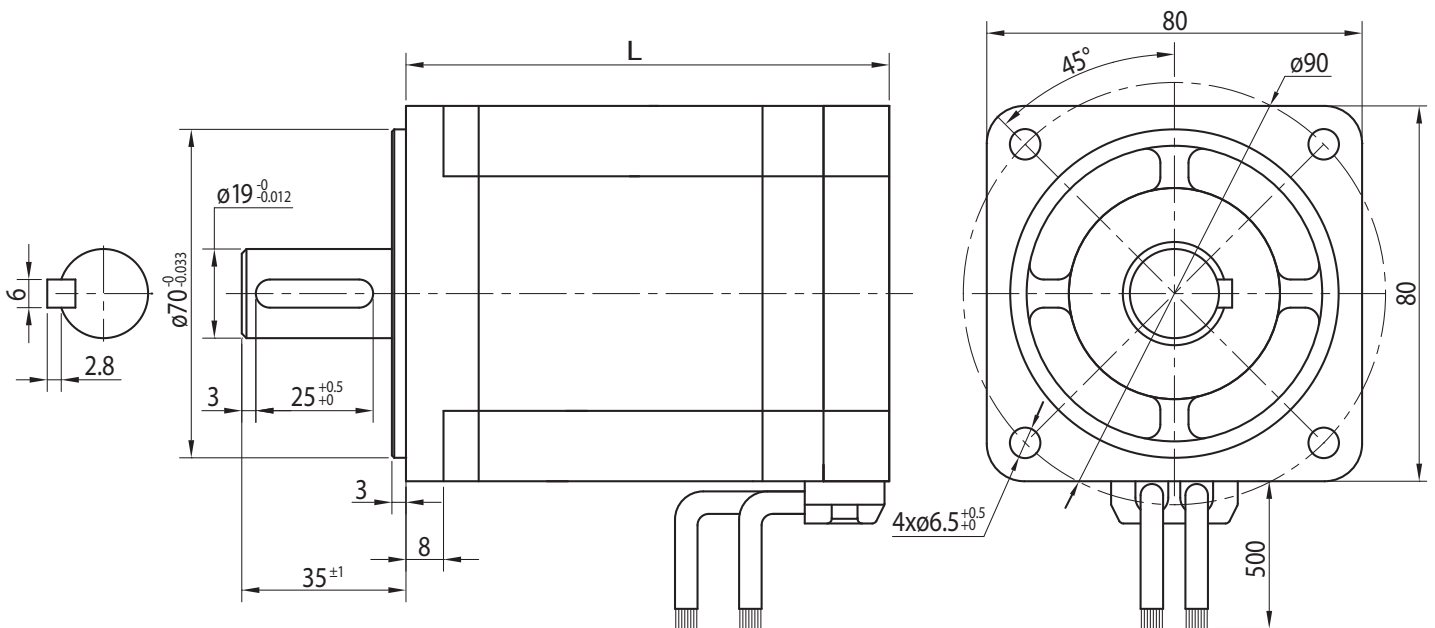
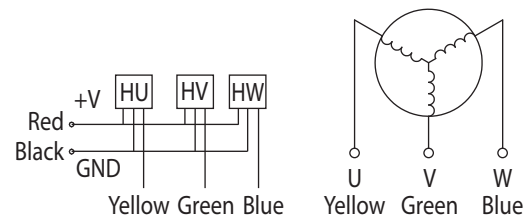
Model	BL80.109-48S	BL80.109-220S	BL80.129-220S
Rated Voltage (V)	48	220	220
Rated Speed (min ⁻¹)	3000	3000	3000
Rated Torque (Ncm)	160	160	239
Rated Power (W)	500	500	750
Rated Current (A)	14	3.3	5.0
Peak Current (A)	42	10	15
Peak Torque (Ncm)	480	480	710
Rotor Inertia (gcm ²)	1600	1600	2100
Torque Constant (Ncm/A)	11	51	51
Back EMF (V/min ⁻¹)	10.47	40	42
Resistance (Ω)	1	3	2.2
Inductance (mH)	0.9	6	9
Length (mm)	109	109	129
Net Weight (kg)	2.04	2.2	3.2
No. of Poles	8		
No. of Phases	3		
Insulation Class	B		

Rel. Humidity: 20 to 85% | Ambient Temp.: -20 to +50 °C

Connections

UL1007 AWG26	
Red	Vcc
Yellow	Ha
Green	Hb
Blue	Hc
Black	GND

UL3266 AWG18	
Yellow	U
Green	V
Blue	W



Options

Encoder	Special Shaft
Rear Shaft	Special Voltage
Connector	Insulation Class F/H