

BLDC Motor Type BL86S



Technical Data

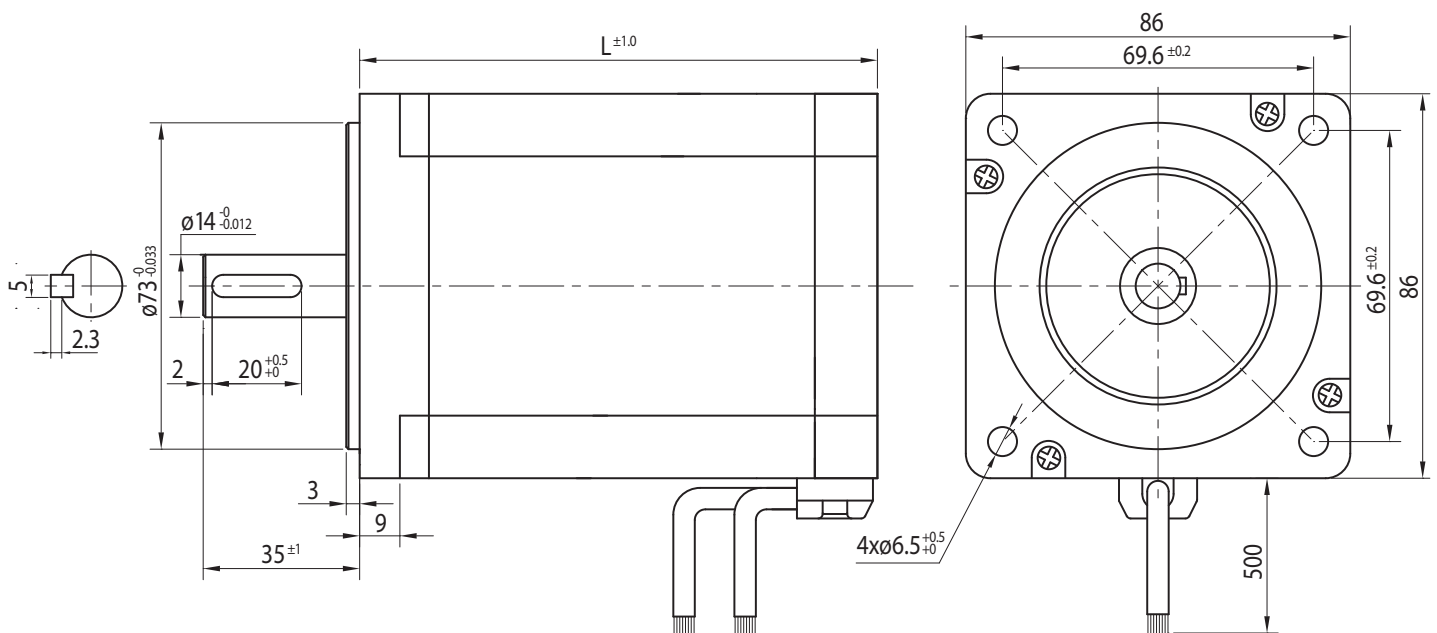
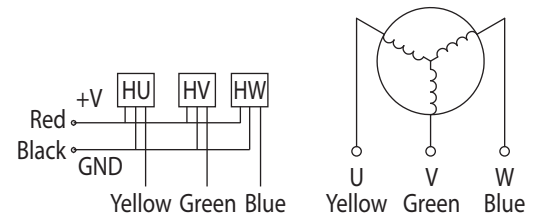
Model	BL86.54S	BL86.67S	BL86.81S	BL86.94S	BL86.121S
Rated Voltage (V)	24	48	48	48	48
Rated Speed (min ⁻¹)	3000	3000	3000	3000	3000
Rated Torque (Ncm)	35	70	100	140	200
Rated Power (W)	110	220	310	440	620
Rated Current (A)	6.5	5.8	8.6	12	17.2
Peak Current (A)	19.5	17.4	25.8	36	51.6
Peak Torque (Ncm)	105	210	300	420	600
Rotor Inertia (gcm ²)	1000	1600	1900	2100	2000
Torque Constant (Ncm/A)	5	12	11	12	11
Back EMF (V/min ⁻¹)	4.5	11	10.5	11	10
Resistance (Ω)	0.4	0.6	0.5	0.4	0.5
Inductance (mH)	0.4	0.5	0.4	0.3	0.5
Length (mm)	54	66.5	80.5	93.5	121
Net Weight (kg)	1.2	1.8	2.2	2.6	3.2
No. of Poles	8				
No. of Phases	3				
Insulation Class	B				

Rel. Humidity: 20 to 85% | Ambient Temp.: -20 to +50 °C

Connections

UL1007 AWG26	
Red	Vcc
Yellow	Ha
Green	Hb
Blue	Hc
Black	GND

UL3266 AWG18	
Yellow	U
Green	V
Blue	W



Options

Encoder	Special Shaft
Rear Shaft	Special Voltage
Connector	Insulation Class F/H