

BLDC Motor Planetary Gearbox Type PL28.30-BL28.77

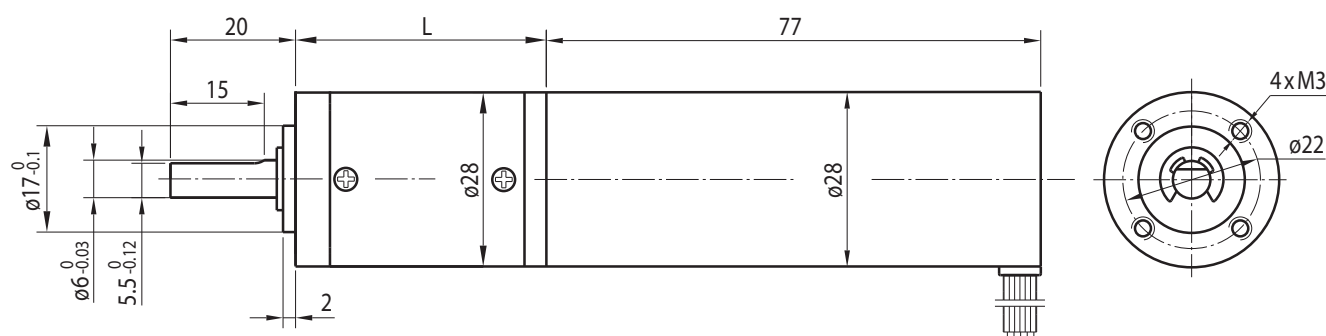
PowerTronic



Gearmotor

Gear Ratio	3.7	5.2	14	19	27	51	71	100	139
No Load Speed (min ⁻¹)	1617	1158	429	316	222	118	85	60	43
Rated Speed (min ⁻¹)	997	714	264	195	137	73	52	37	29
Rated Torque (Ncm)	17	23	57	77	110	190	250	250	250
Peak Torque (Ncm)	100	100	350	350	350	750	750	750	750
No. of Stages	1	1	2	2	2	3	3	3	3
Length L (mm)	31	31	40.1	40.1	40.1	49	49	49	49

Rel. Humidity: 20 to 85% | Ambient Temp.: -10 to +60 °C



Motor

No. of Poles	No. of Phases	Rated Voltage (V)	No Load Speed (min ⁻¹)	Rated Speed (min ⁻¹)	Rated Torque (Ncm)	Peak Torque (Ncm)	Peak Current (A)	Rated Power (W)
4	3	24	6000	3700	5	15	3	16

Radial Load (FR): 35 N (10 mm from face mounting) | Axial Load (FA): 25 N

Connections

UL1007 AWG26	
Green	U
Red	V
Black	W
Yellow	Vcc
Blue	Ha
Orange	Hb
Brown	Hc
White	GND

Options

Encoder
Rear Shaft
Connector
Special Shaft
Special Voltage

Ball Bearing