

BLDC Motor with Integrated Electronics Planetary Gearbox Type PL35-BL36.40

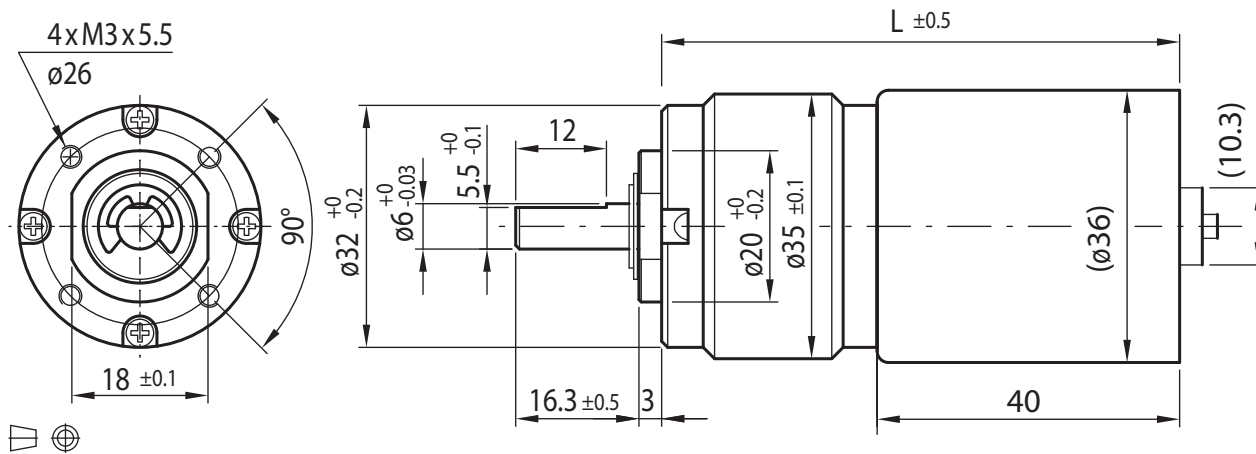
PowerTronic



Gearmotor

Gear Ratio	5	14	19	27	51	71	100	139	189	264	516	721
12V	Rated Torque (Ncm)	8	19	26	37	61	80	100	100	120	120	120
	Rated Speed (min ⁻¹)	380	140	100	73	38	28	20	15.5	11.5	8.5	4.5
24V	Rated Torque (Ncm)	10	24	33	47	76	80	100	100	120	120	120
	Rated Speed (min ⁻¹)	750	280	200	145	76	54	40	30	23	17	8.5
Length L (mm)	62.1	68.5	68.5	68.5	74.9	74.9	74.9	74.9	81.3	81.3	81.3	81.3

Radial Load (FR): 35 N (10 mm from face mounting) | Axial Load (FA): 25 N | Net Weight max. 355 g



Motor

Rated Voltage (V)	12	24
Rated Speed (min ⁻¹)	2000	3900
Rated Torque (Ncm)	2	2.5
Rated Current (mA)	≤ 1000	≤ 1230
No Load Current (mA)	≤ 350	≤ 400
No Load Speed (min ⁻¹)	2800	5000
Rated Power (W)	4.1	10

Rel. Humidity: 20 to 85 % | Ambient Temp.: - 10 to +60 °C

Options

Rear Shaft
Leads
Connector
Special Shaft
Special Voltage

Ball Bearing