

BLDC Motor Planetary Gearbox Type PL42.150-BL42.59

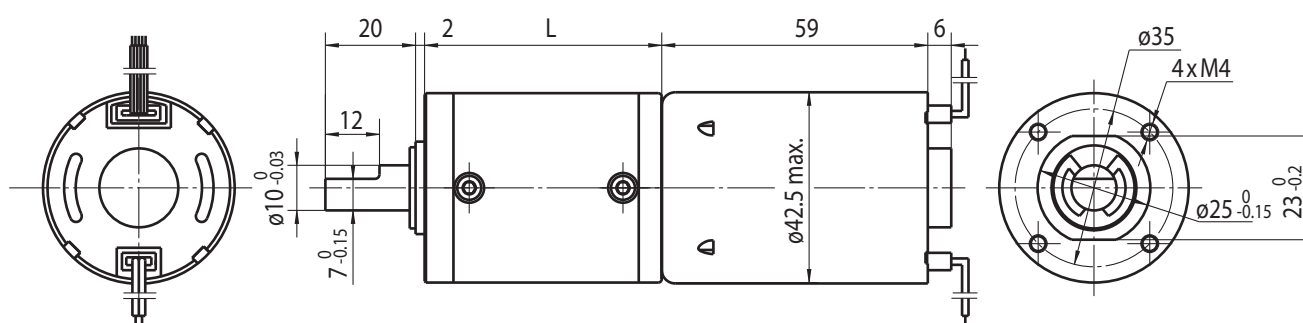
PowerTronic



Gearmotor

Gear Ratio	3.5	14	21	49	84	104	126	172	294
No Load Speed (min ⁻¹)	1143	286	190	82	48	38	32	23	14
Rated Speed (min ⁻¹)	857	214	143	61	36	29	24	17	10
Rated Torque (Ncm)	21	77	110	240	410	510	620	770	1300
Peak Torque (Ncm)	300	1200	1200	2500	2500	2500	2500	3000	3000
No. of Stages	1	2	2	3	3	3	3	4	4
Length L (mm)	32.5	39.2	39.2	46	46	46	46	52.5	52.5

Rel. Humidity: 20 to 85% | Ambient Temp.: -10 to +60°C



Motor

No. of Poles	No. of Phases	Rated Voltage (V)	No Load Speed (min ⁻¹)	Rated Speed (min ⁻¹)	Rated Torque (Ncm)	Rated Current (A)	Rated Power (W)
10	3	24	4000	3000	6.8	1.2	21

Radial Load (FR): 80 N (10 mm from face mounting) | Axial Load (FA): 30 N

Connections

UL1007 AWG26	
Grey	U
Brown	V
White	W
Red	Vcc
Yellow	Ha
Blue	Hb
Green	Hc
Black	GND

Options

Encoder
Rear Shaft
Connector
Special Shaft
Special Voltage

Ball Bearing