

BLDC Motor Planetary Gearbox Type PL42.200-BL42.59

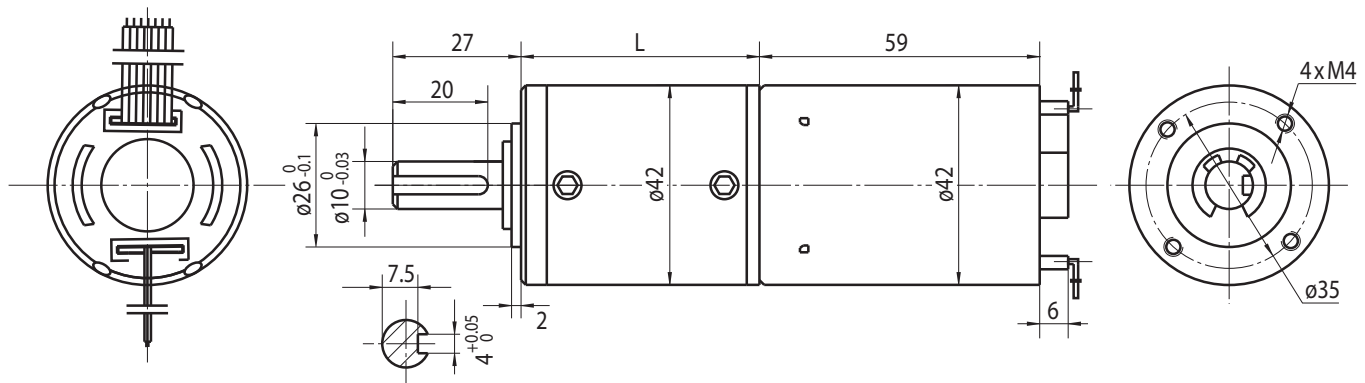
PowerTronic



Gearmotor

Gear Ratio	4.44	17	22	65	83	106	247	316	403	515
No Load Speed (min ⁻¹)	901	235	182	62	48	38	16	13	10	7.8
Rated Speed (min ⁻¹)	676	176	136	46	36	28	12	9	7	5.8
Rated Torque (Ncm)	27	94	120	320	410	530	1100	1400	1800	2000
Peak Torque (Ncm)	600	2500	2500	5000	5000	5000	6000	6000	6000	6000
No. of Stages	1	2	2	3	3	3	4	4	4	4
Length L (mm)	37.5	48	48	58.3	58.3	58.3	68.6	68.6	68.6	68.6

Rel. Humidity: 20 to 85% | Ambient Temp.: -10 to +60°C



Motor

No. of Poles	No. of Phases	Rated Voltage (V)	No Load Speed (min ⁻¹)	Rated Speed (min ⁻¹)	Rated Torque (Ncm)	Rated Current (A)	Rated Power (W)
10	3	24	4000	3000	6.8	1.2	21

Radial Load (FR): 80 N (10 mm from face mounting) | Axial Load (FA): 30 N

Connections

UL1007 AWG26	
Grey	U
Brown	V
White	W
Red	Vcc
Yellow	Ha
Blue	Hb
Green	Hc
Black	GND

Options

Encoder
Rear Shaft
Connector
Special Shaft
Special Voltage

Ball Bearing