

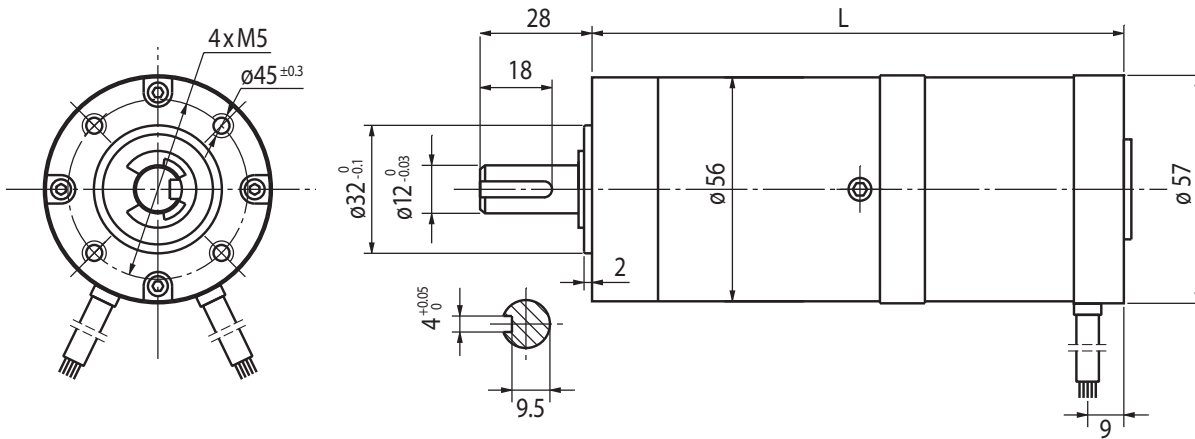
BLDC Motor Planetary Gearbox Type PL56.200-BL57.55



Gearmotor

Gear Ratio		13	15	18	32	47	55	65	76	168	198	234	276	326
BL57.55-24.20	No Load Speed (min ⁻¹)	154	133	111	63	43	36	31	26	12	10	8.5	7.2	6.1
	Rated Speed (min ⁻¹)	100	87	72	41	28	24	20	17	7.7	6.6	5.6	4.7	4
	Rated Torque (Ncm)	0.9	1	1.2	2.2	2.9	3.4	4	4.7	9.3	11	13	15	18
	Peak Torque (Ncm)	25	25	25	25	50	50	50	50	50	60	60	60	60
No. of Stages		2	2	2	2	3	3	3	3	4	4	4	4	4
Length L (mm)		104.8	104.8	104.8	104.8	116.1	116.1	116.1	116.1	127.4	127.4	127.4	127.4	127.4
Gear Ratio		3.6	4.25	13	15	18	32	47	55	65	76	168	198	234
BL57.55-24.30	No Load Speed (min ⁻¹)	833	706	231	200	167	94	64	55	46	39	18	15	13
	Rated Speed (min ⁻¹)	625	529	173	150	125	70	48	41	35	30	13	11	9.6
	Rated Torque (Ncm)	0.4	0.4	1.2	1.3	1.6	2.9	3.8	4.4	5.2	6.1	12	14	17
	Peak Torque (Ncm)	6	6	25	25	25	25	50	50	50	50	60	60	60
No. of Stages		1	1	2	2	2	2	3	3	3	3	4	4	4
Length L (mm)		93.5	93.5	104.8	104.8	104.8	104.8	116.1	116.1	116.1	116.1	127.4	127.4	127.4

Radial Load (FR): 250 N (10 mm from face mounting) | Axial Load (FA): 100 N



Motor

Model	BL57.55-24.20	BL57.55-24.30
Rated Voltage (V)	24	24
Rated Speed (min ⁻¹)	1300	2250
Rated Torque (mNm)	85	110
Rated Current (A)	1.2	2
No Load Current (mA)	≤ 200	≤ 400
No Load Speed (min ⁻¹)	2000	3000
Rated Power (W)	10	25

Rel. Humidity: 20 to 85% | Ambient Temp.: - 10 to +60 °C

Ball Bearing

Connections

UL1430 AWG26	
Red	Vcc
Blue	Ha
Green	Hb
White	Hc
Black	GND

UL1430 AWG20	
Yellow	U
Red	V
Black	W

Options

Encoder
Rear Shaft
Connector
Special Shaft
Special Voltage