

BLDC Motor Spur Gearbox Type SF64.68-BL36.40

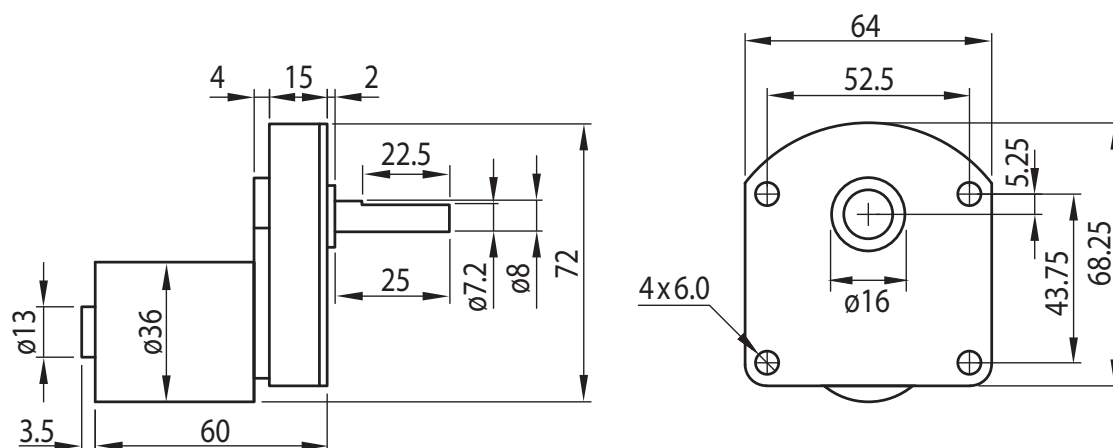
PowerTronic



Gearmotor

Gear Ratio	16	19.1	37.3	42
Rated Torque (Ncm)	50	59	115	130
Rated Speed (min ⁻¹)	244	203	104	92

Rel. Humidity: 20 to 85 %
Ambient Temp.: -20 to +80 °C
Net Weight max. 0.25 kg



Motor

Rated Voltage (V)	No Load Speed (min ⁻¹)	No Load Current (A)	Rated Speed (min ⁻¹)	Rated Current (A)	Rated Torque (Ncm)	Rated Power (W)
24	4700	0.26	3900	0.6	3.6	14.7

Radial Load (FR): 130 N (10 mm from face mounting)
Axial Load (FA): 50 N

Options

Encoder
Rear Shaft
Leads
Connector
Special Shaft