

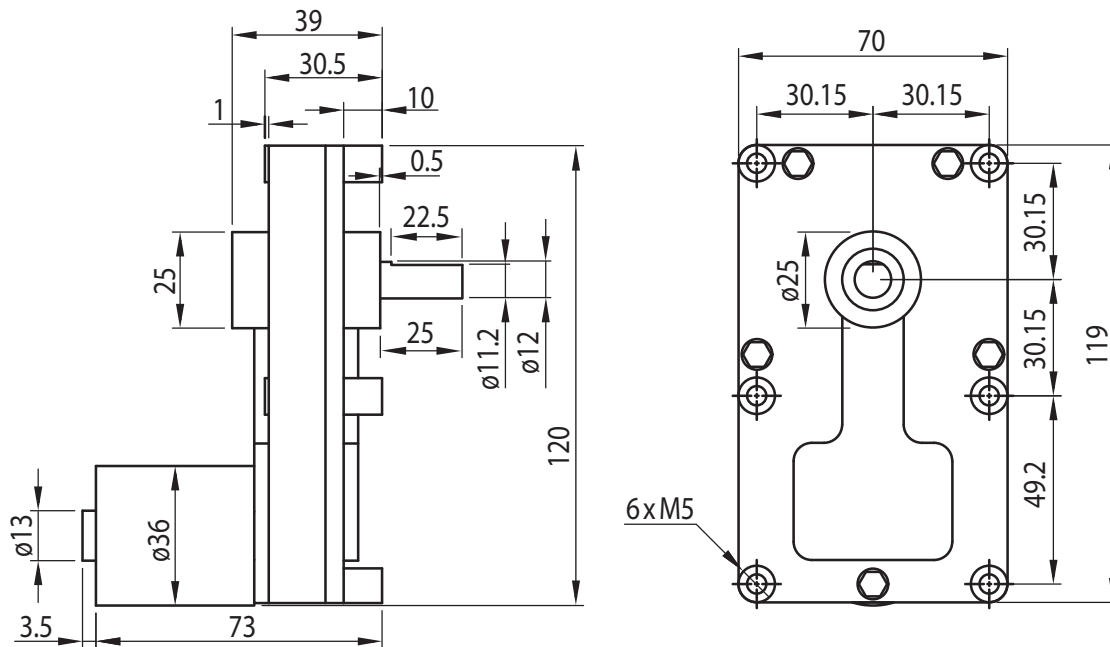
BLDC Motor Spur Gearbox Type SF70.119-BL36.40



Gearmotor

Gear Ratio	94	126	235	315	470	630	940	1175	1566
Rated Torque (Ncm)	237	317	592	794	1184	1588	2369	2961	3500
Rated Speed (min ⁻¹)	44	31	17.6	12.4	9	6.2	4.4	3.5	2.6

Rel. Humidity: 20 to 85% | Ambient Temp.: -20 to +80°C | Net Weight max. 0.97 kg



Motor

Rated Voltage (V)	No Load Speed (min ⁻¹)	No Load Current (A)	Rated Speed (min ⁻¹)	Rated Current (A)	Rated Torque (Ncm)	Rated Power (W)
24	4700	0.26	3900	0.6	3.6	14.7

Radial Load (FR): 200 N (10 mm from face mounting)
Axial Load (FA): 100 N

Options

Encoder
Rear Shaft
Leads
Connector
Special Shaft