

2-Phase Hybrid Stepper Motor Type SH57 (NEMA 23)



Technical Data

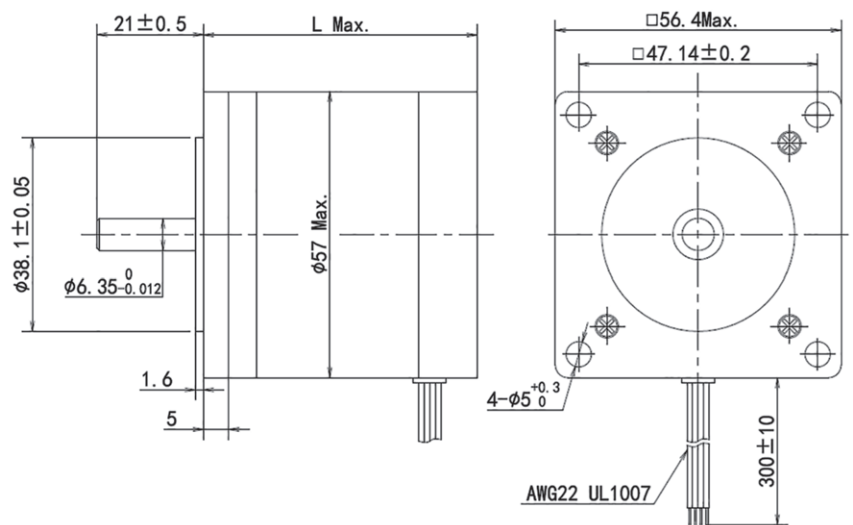
Model	Rated Current (A)	Resistance (Ω)	Inductance (mH)	Lead Wire	Holding Torque (Ncm)	Length L (mm)	Rotor Inertia (gcm ²)	Weight (kg)	Step Angle (°)
SH57.41-4607	0.38	32	28	6	30	41	60	0.45	1.8
SH57.51-5481	1.4	2.5	6.2	4	62	51	118	0.6	
SH57.51-5627	1.4	2.6	3.2	6	45	51	118	0.6	
SH57.56-6496	2.5	1.2	3.0	4	80	56	145	0.65	
SH57.56-6669	1.2	5.0	6.8	6	60	56	145	0.65	
SH57.76-7406	4.2	0.5	1.4	4	110	76	230	0.8	
SH57.76-7671	1.6	3.2	4.5	6	80	76	230	0.8	

Insulation Resistance: min. 100 M Ω (at 500VDC)
Dielectric Strength (1 min): 500 VAC

Operating Temp.: -20 to +50 °C
Insulation Class: B (130 °C)
Permissible Temp. Rise: 80 °C

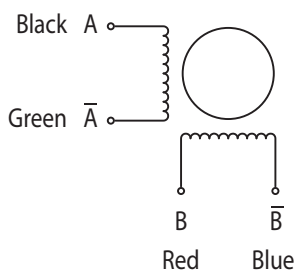
Options

Step Sizes 0.9 and 1.8°
Encoder
Special Shaft
Rear Shaft Extension
Extension Cable
Connector

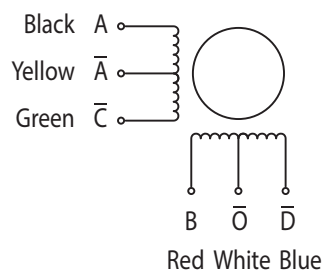


Connections

Bi-Polar



Uni-Polar



Further winding configurations can be supplied upon request.