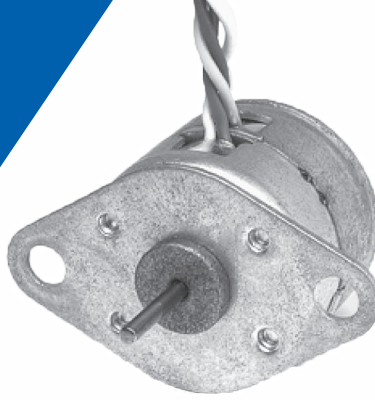


Synchronous Motor

Type SY21.17-MTR2b

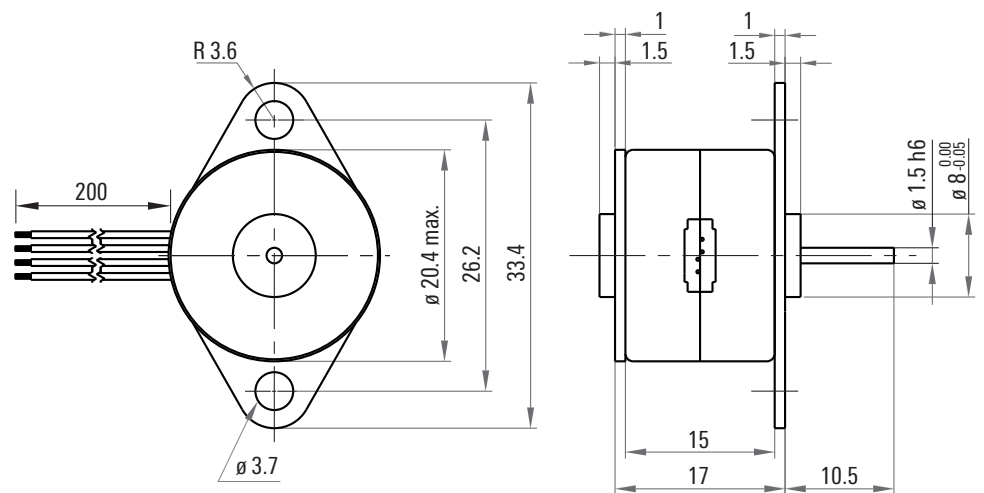
PowerTronic



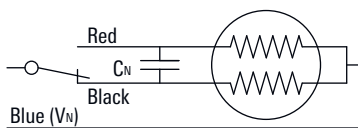
Motor

Operating Mode	Rated Power (W)	Rated Speed (min ⁻¹)	Rated Torque (Ncm)	Rated Voltage (V)	Frequency (Hz)	Protection Class	Rotation Direction
100% Cont.	0.1	500	0.15	24 ± 10%	50	IP40	Reversible

Ambient Temp. (during operation): - 15 bis +55 °C | Net Weight: 30g



Connections



Options

Special Voltage (12V)
Special Shaft
Connector as desired
Gearbox