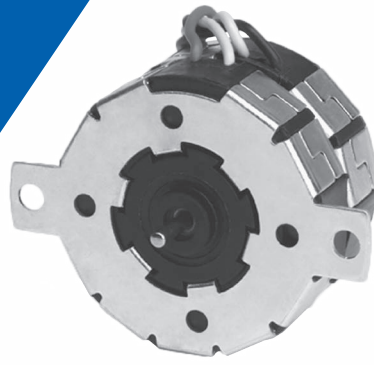


Synchronous Motor

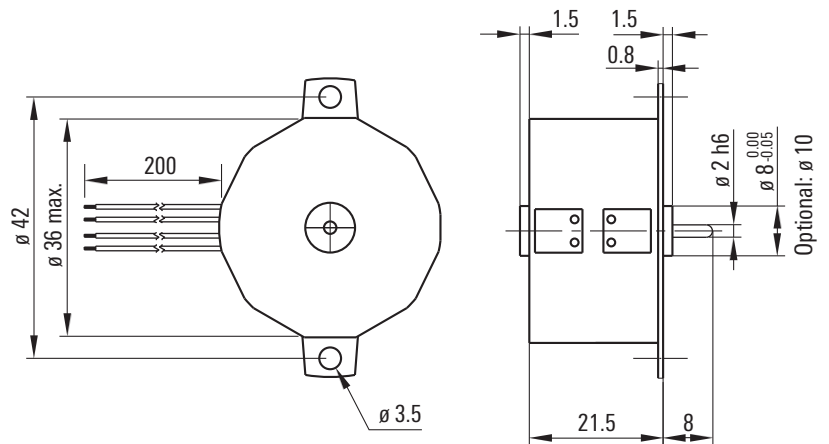
Type SY36.22-MTR3b



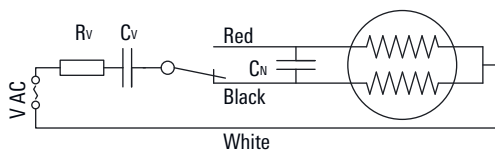
Motor

Operating Mode	Rated Power (W)	Rated Speed (min ⁻¹)	Rated Torque (Ncm)	Rated Voltage (V)	Frequency (Hz)	Protection Class	Rotation Direction
100% Cont.	0.39	500	0.65	230 ± 10%	50	IP40	Reversible

Ambient Temp. (during operation): - 15 bis +55°C | Net Weight: 65g



Connections



Options

Special Voltage (12/24/48/110V)
Special Shaft
Connector as desired
Gearbox