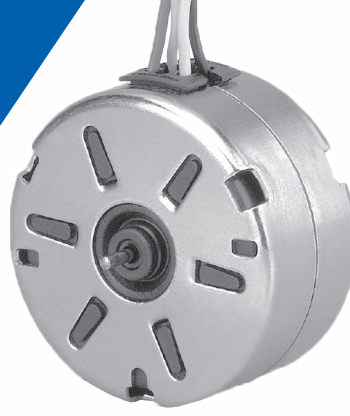


# Synchronous Motor

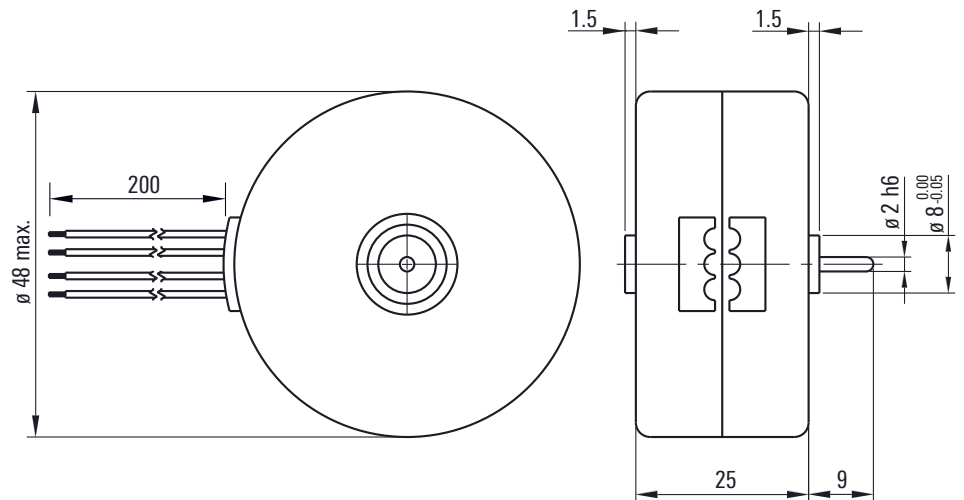
## Type SY48.25-MTR5



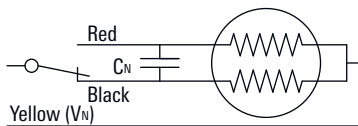
### Motor

Operating Mode	Rated Power (W)	Rated Speed (min <sup>-1</sup> )	Rated Torque (Ncm)	Rated Voltage (V)	Frequency (Hz)	Protection Class	Rotation Direction
100% Cont.	0.7	500	1.35	230 ± 10%	50	IP40	Reversible

Ambient Temp. (during operation): - 15 bis +55 °C | Net Weight: 140 g



### Connections



### Options

Special Voltage (12/24/48/110 V)
Special Shaft
Connector as desired
Gearbox