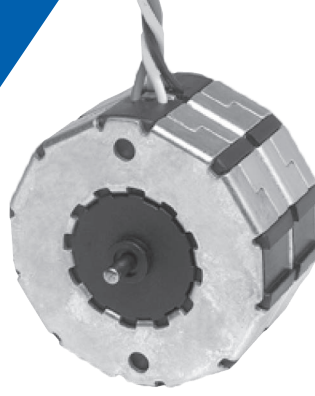


Synchronous Motor

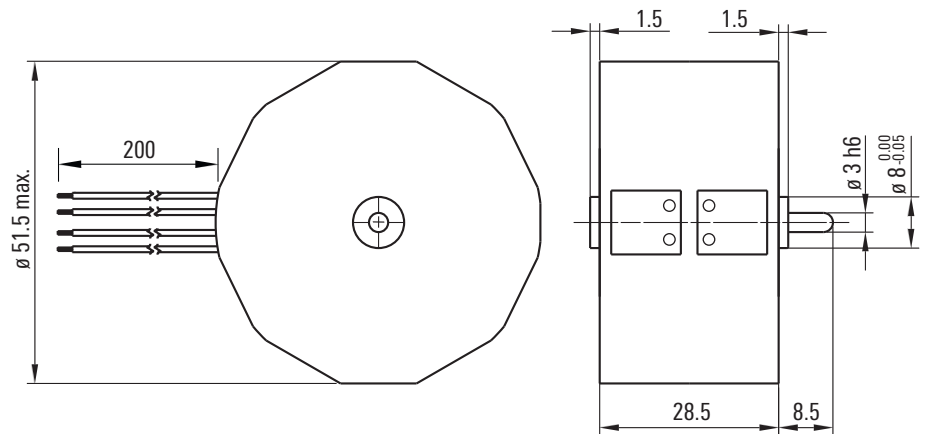
Type SY52.29-MTR4a



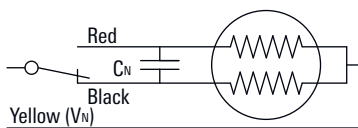
Motor

| Operating Mode | Rated Power (W) | Rated Speed (min ⁻¹) | Rated Torque (Ncm) | Rated Voltage (V) | Frequency (Hz) | Protection Class | Rotation Direction |
|----------------|-----------------|----------------------------------|--------------------|-------------------|----------------|------------------|--------------------|
| 100% Cont. | 0.94 | 250 | 3.6 | 230 ± 10% | 50 | IP40 | Reversible |

Ambient Temp. (during operation): - 15 bis +55 °C | Net Weight: 200 g



Connections



Options

| |
|-------------------------------|
| Special Voltage (24/48/110 V) |
| Special Shaft |
| Connector as desired |
| Gearbox |