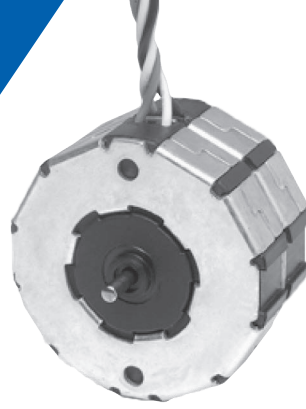


Synchronous Motor

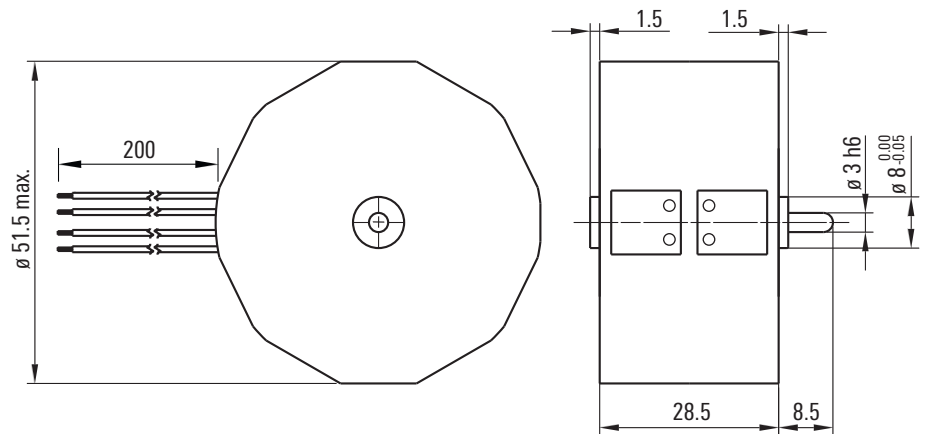
Type SY52.29-MTR4b



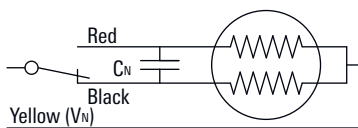
Motor

Operating Mode	Rated Power (W)	Rated Speed (min ⁻¹)	Rated Torque (Ncm)	Rated Voltage (V)	Frequency (Hz)	Protection Class	Rotation Direction
100% Cont.	1.41	500	2.7	230 ± 10%	50	IP40	Reversible

Ambient Temp. (during operation): - 15 bis +55 °C | Net Weight: 200g



Connections



Options

Special Voltage (24/48/110 V)
Special Shaft
Connector as desired
Gearbox