

# DC Motor

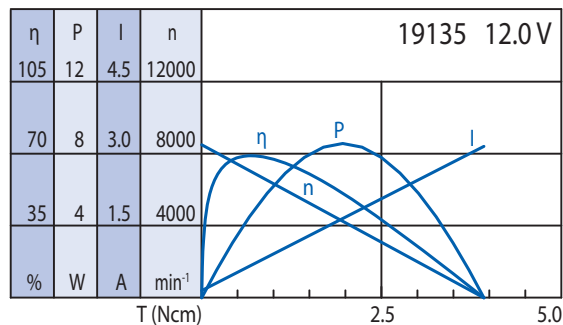
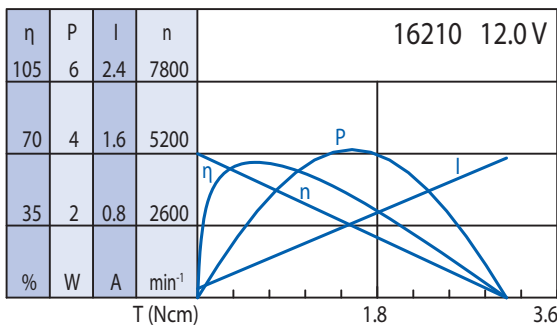
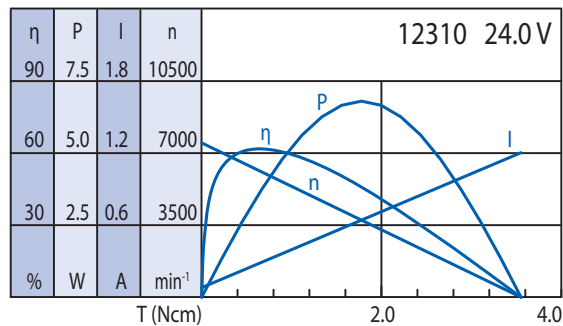
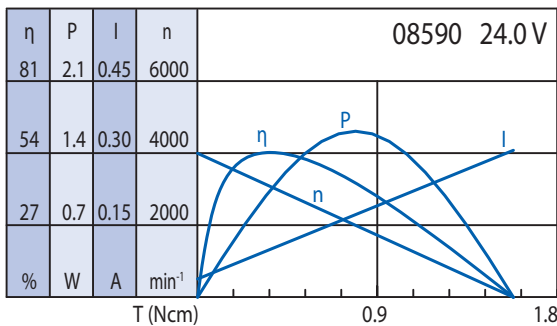
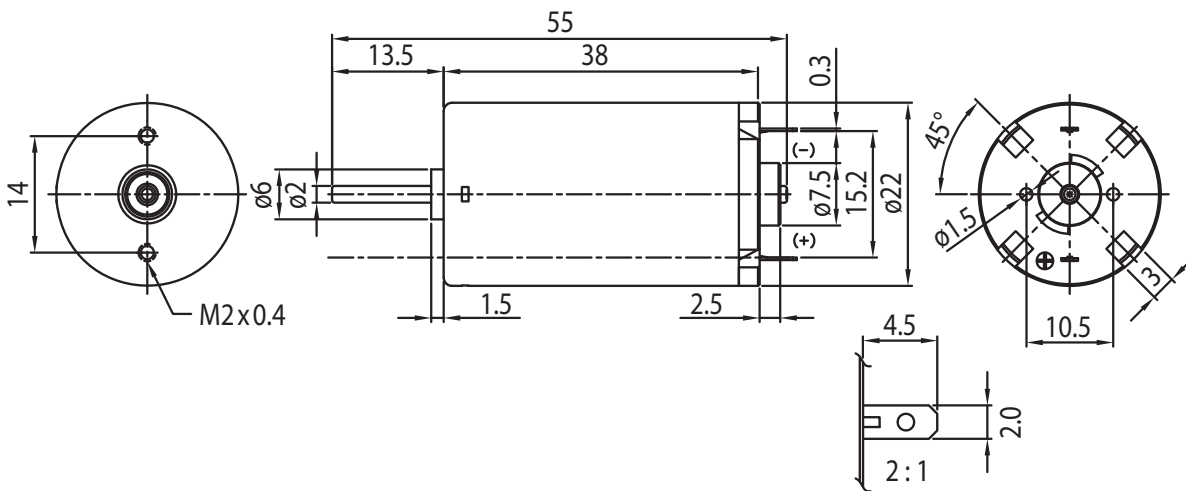
## Type DC22.38



### Technical Data

Model	Rated Voltage (V)	No Load Speed (min <sup>-1</sup> )	No Load Current (A)	Rated Speed (min <sup>-1</sup> )	Rated Current (A)	Rated Torque (Ncm)	Rated Power (W)	Efficiency (%)	Stall Current (A)	Stall Torque (Ncm)
08590	24.0	4000	0.038	3067	0.088	0.34	1.1	54	0.31	1.6
12310	24.0	7500	0.080	5938	0.254	0.59	3.7	62	1.20	3.5
16210	12.0	5200	0.100	4474	0.337	0.54	2.5	66	1.55	3.0
19135	12.0	8500	0.150	7508	0.513	0.52	4.1	69	3.15	3.9

Ambient Temp.: -10 to +60°C | Net Weight max. 50g



### Options

EMC Filter
Leads
Connector
Special Shaft
Special Voltage
Ball Bearing
Encoder