

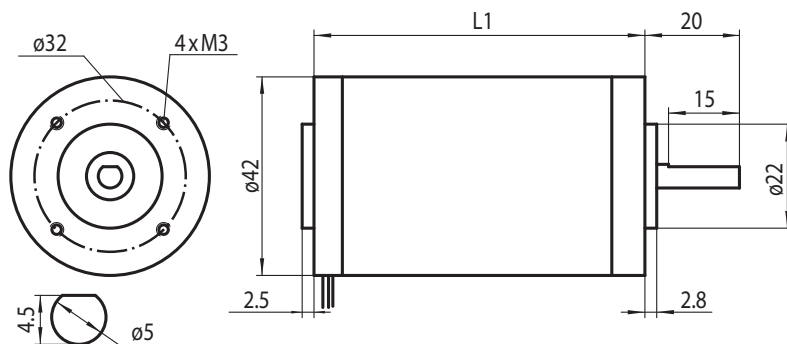
DC Motor Type DC42



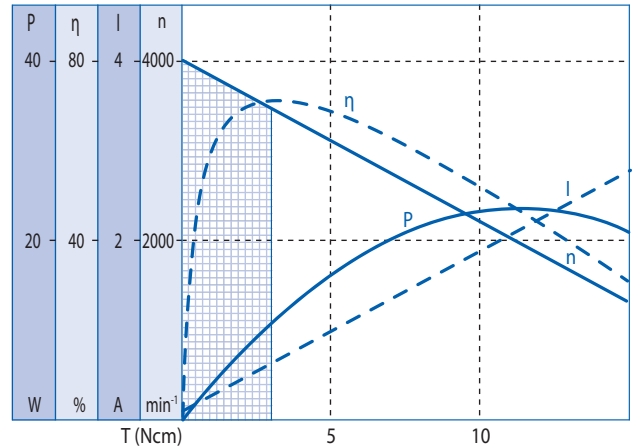
Technical Data

Model	DC42.80	DC42.90	DC42.100
Rated Voltage (V)	24	24	24
No Load Speed (min ⁻¹)	4000	4000	4000
Rated Torque (Ncm)	3	5	7
Rated Speed (min ⁻¹)	3480	3350	3350
Rated Current (A)	0.64	1.1	1.4
Stall Torque (Ncm)	22	30	40
Stall Current (A)	4.2	5.6	7.5
Rotor Inertia (Kgmm ²)	11.6	15.4	19.3
Back-EMF (V/min ⁻¹)	5.84	5.84	5.84
Torque Constant (Ncm/A)	5.58	5.58	5.58
Resistance (Ω)	5.8	4.1	3.2
Net Weight (g)	300	400	500
Length L1 (mm)	80	90	100

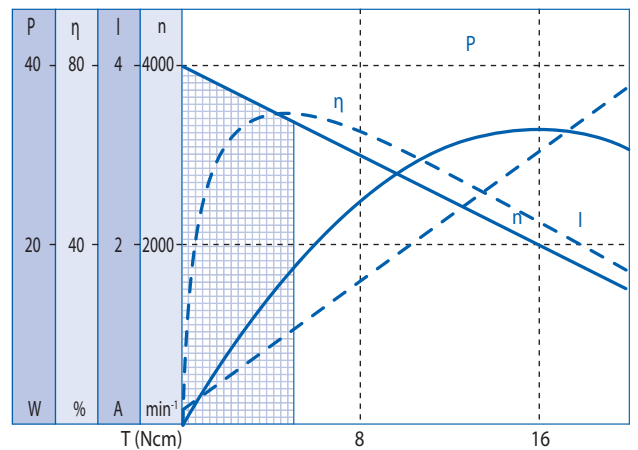
Insulation Class B | Ambient Temp.: -10 to +40 °C



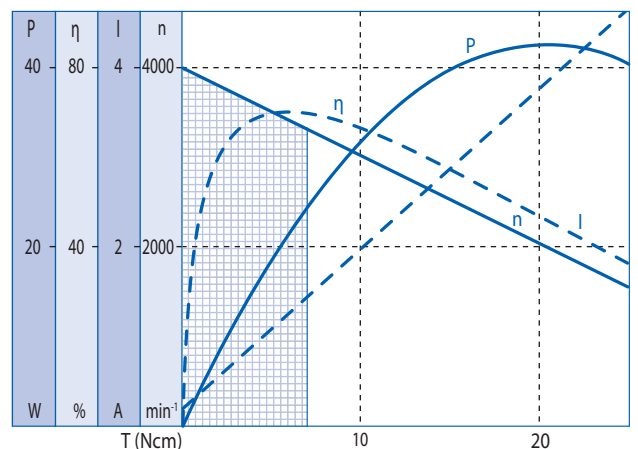
DC42.80



DC42.90



DC42.100



Options

Encoder	Brake
Rear Shaft	Special Shaft
EMC Filter	Special Voltage
Cable	Insulation Class F/H
Connector	Increased Protection

Ball Bearing