

DC Motor

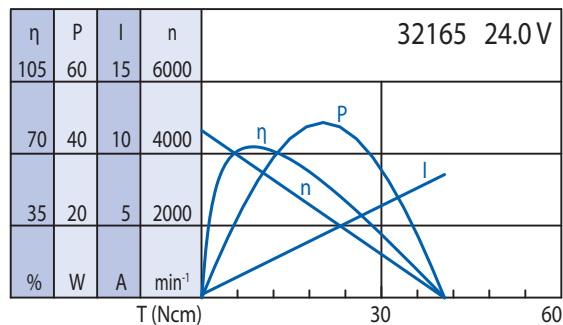
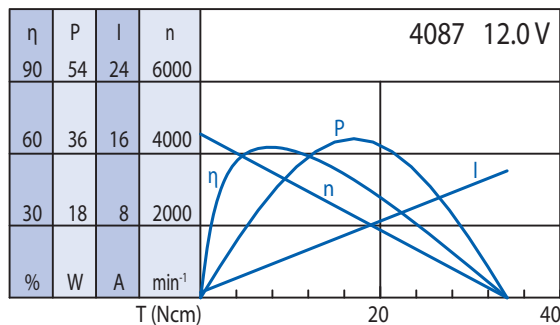
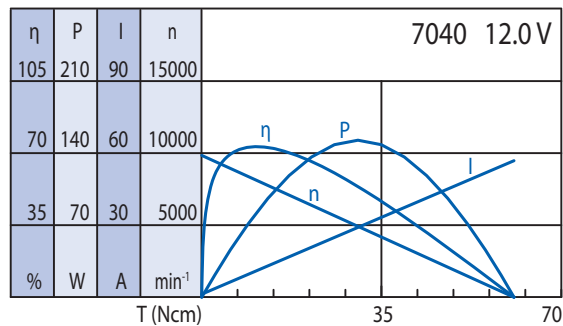
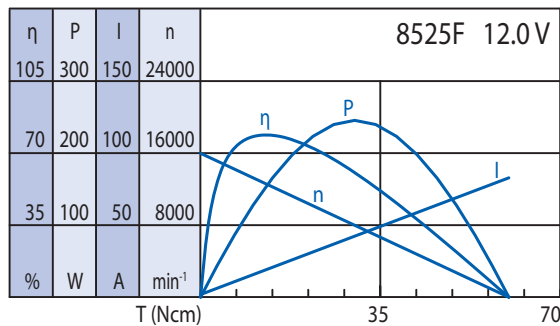
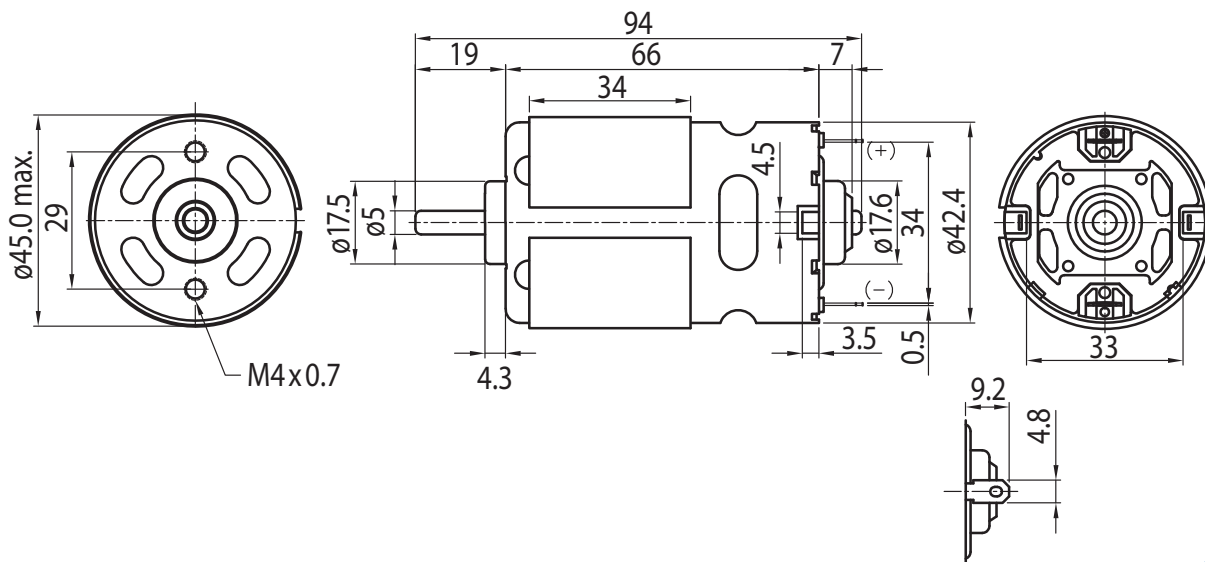
Type DC45.66



Technical Data

Model	Rated Voltage (V)	No Load Speed (min ⁻¹)	No Load Current (A)	Rated Speed (min ⁻¹)	Rated Current (A)	Rated Torque (Ncm)	Rated Power (W)	Efficiency (%)	Stall Current (A)	Stall Torque (Ncm)
8525F	12.0	16000	1.80	13500	12.08	8.03	114.3	80	82.97	58.8
7040	12.0	9700	1.30	8400	5.98	5.93	52.8	74	56.91	59.6
4087	12.0	4550	0.60	3500	2.81	5.61	21.1	63	14.11	33.4
32165	24.0	4650	0.22	3900	1.25	5.29	22.0	74	8.56	39.7

Ambient Temp.: -10 to +60°C | Net Weight max. 350g



Options

EMC Filter
Leads
Connector
Special Shaft
Special Voltage
Ball Bearing
Encoder