

DC Motor

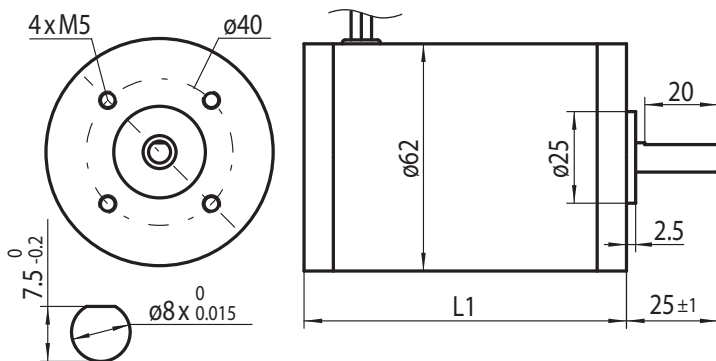
Type DC62



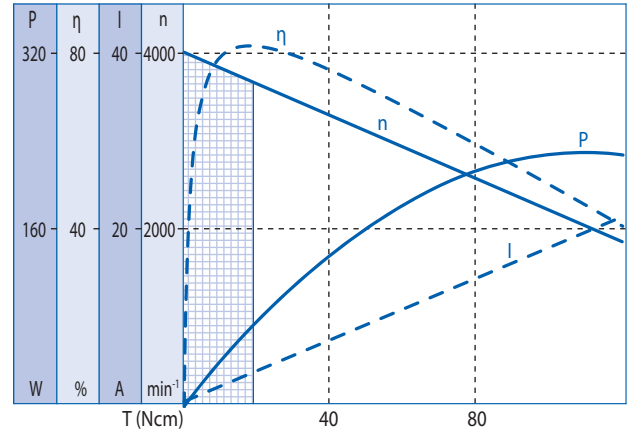
Technical Data

Model	DC62.98	DC62.108	DC62.118
Rated Voltage (V)	24	24	24
No Load Speed (min ⁻¹)	4000	4000	4000
Rated Torque (Ncm)	20	25	35
Rated Speed (min ⁻¹)	3600	3600	3600
Rated Current (A)	3.85	4,8	6.7
Stall Torque (Ncm)	220	280	360
Stall Current (A)	39.4	50	65
Rotor Inertia (Kgmm ²)	48	60	72
Back-EMF (V/min ⁻¹)	5.94	5.94	5.94
Torque Constant (Ncm/A)	5.67	5.67	5.67
Resistance (Ω)	0.61	0.48	0.37
Net Weight (g)	1.0	1.4	2.0
Length L1 (mm)	98	108	118

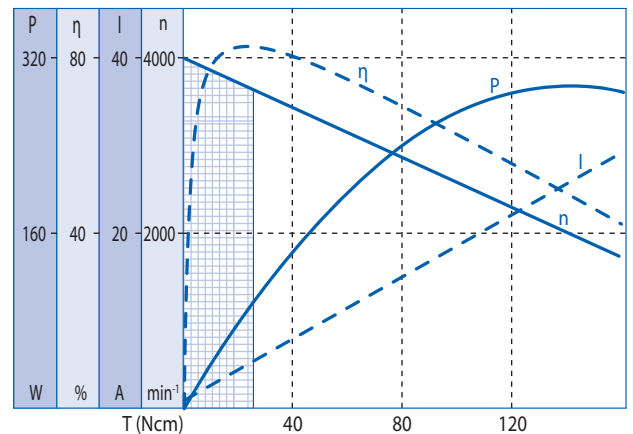
Insulation Class B | Ambient Temp.: - 10 to + 40 °C



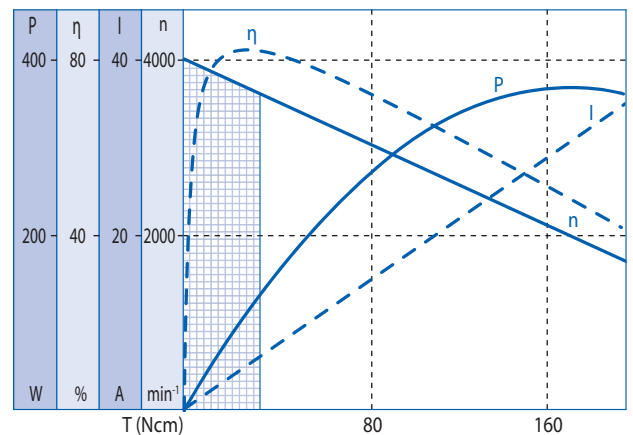
DC62.98



DC62.108



DC62.118



Options

Encoder	Brake
Rear Shaft	Special Shaft
EMC Filter	Special Voltage
Cable	Insulation Class F/H
Connector	Increased Protection

Ball Bearing