

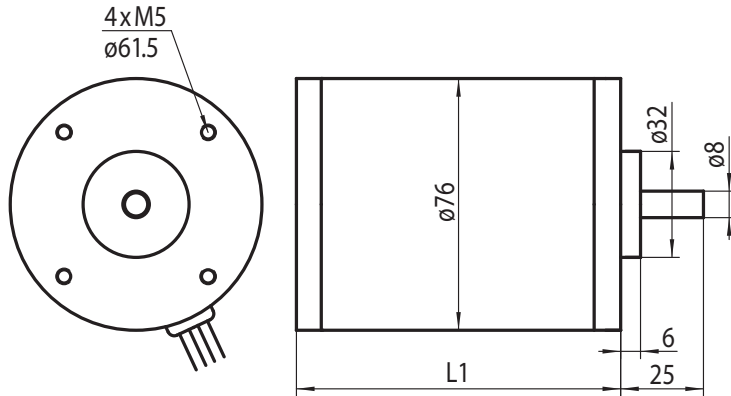
# DC Motor Type DC76



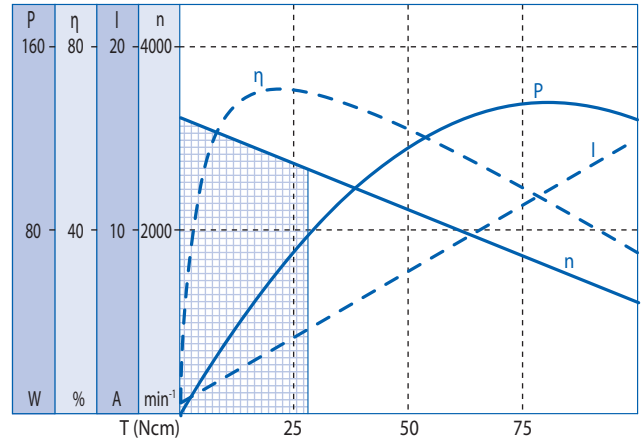
## Technical Data

Model	DC76.98	DC76.118	DC76.138
Rated Voltage (V)	24	24	24
No Load Speed (min <sup>-1</sup> )	3200	3200	3200
Rated Torque (Ncm)	28	46	65
Rated Speed (min <sup>-1</sup> )	2680	2680	2680
Rated Current (A)	4.7	7.6	11
Stall Torque (Ncm)	145	240	340
Stall Current (A)	26.8	45	63
Rotor Inertia (Kgmm <sup>2</sup> )	170	285	400
Back-EMF (V/min <sup>-1</sup> )	7.2	7.2	7.2
Torque Constant (Ncm/A)	6.88	6.88	6.88
Resistance (Ω)	1.0	0.6	0.45
Net Weight (kg)	1.0	1.4	2.0
Length L1 (mm)	98	118	138

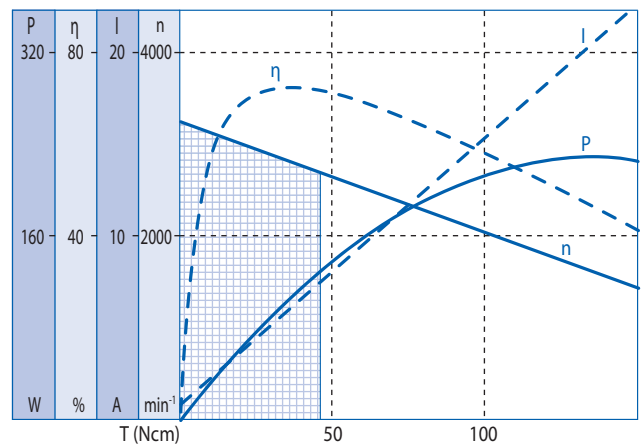
Insulation Class B | Ambient Temp.: -10 to +40 °C



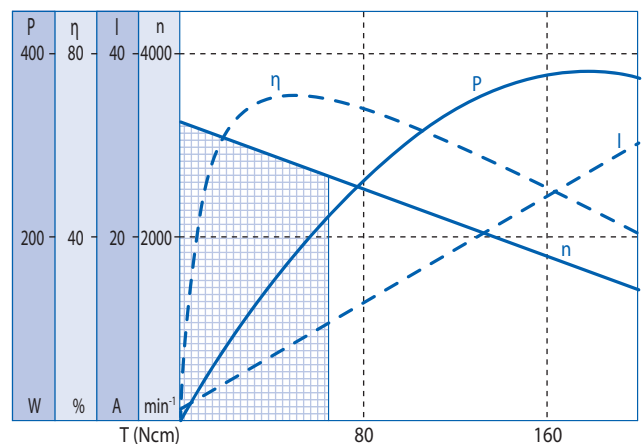
DC76.98



DC76.118



DC76.138



## Options

Encoder	Brake
Rear Shaft	Special Shaft
EMC Filter	Special Voltage
Longer Cable	Increased Insulation Class
Connector	Increased Protection

## Ball Bearing