

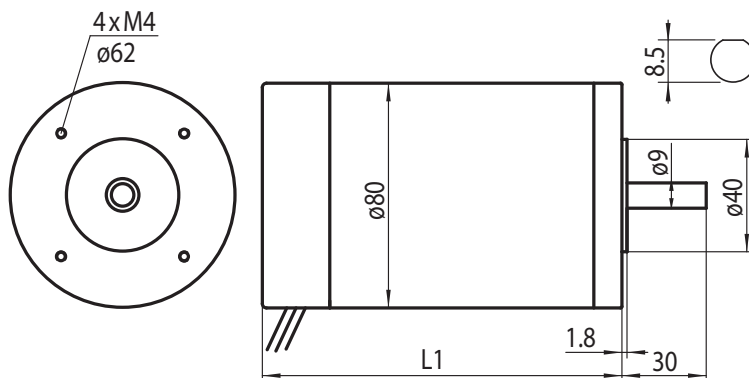
DC Motor Type DC80



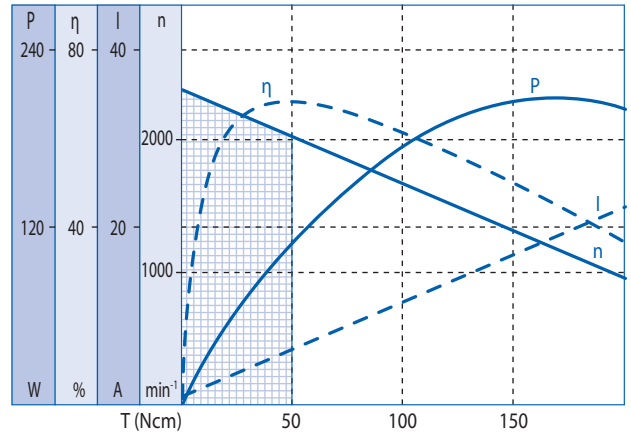
Technical Data

Model	DC80.108	DC80.128	DC80.148
Rated Voltage (V)	24	24	24
No Load Speed (min ⁻¹)	2380	2460	2390
Rated Torque (Ncm)	50	82	110
Rated Speed (min ⁻¹)	2030	2100	2050
Rated Current (A)	6.5	10.7	14
Stall Torque (Ncm)	340	558	790
Stall Current (A)	37.4	63.2	84.6
Rotor Inertia (Kgmm ²)	420	550	700
Back-EMF (V/min ⁻¹)	9.8	9.5	9.8
Torque Constant (Ncm/A)	9.35	9.06	9.34
Resistance (Ω)	0.65	0.38	0.28
Net Weight (kg)	1.7	2.0	2.3
Length L1 (mm)	108	128	148

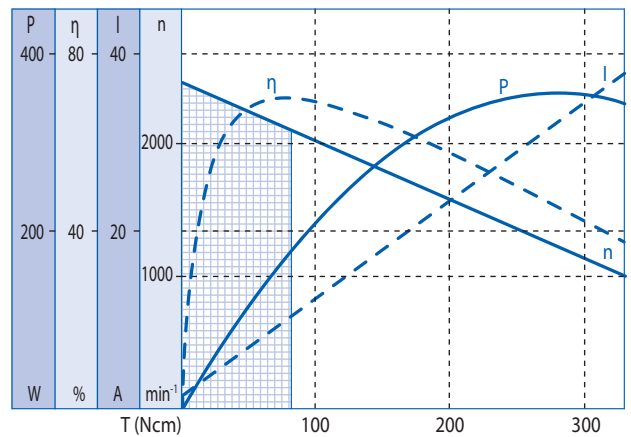
Insulation Class B | Ambient Temp.: -10 to +40 °C



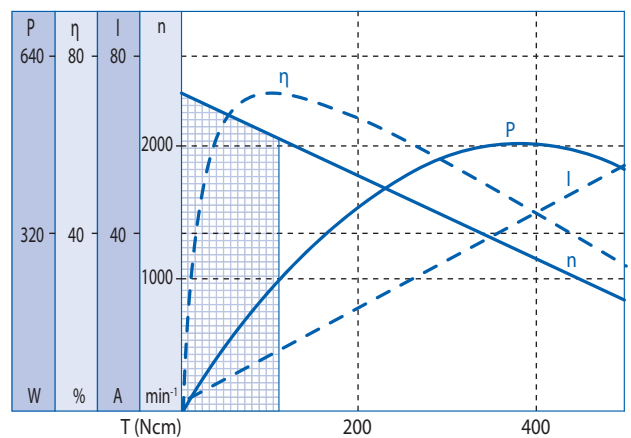
DC80.108



DC80.128



DC80.148



Options

Encoder	Brake
Rear Shaft	Special Shaft
EMC Filter	Special Voltage
Cable	Insulation Class F/H
Connector	Increased Protection

Ball Bearing