

Low Backlash Planetary Gearbox for Servo Motors Type PL120ZDF

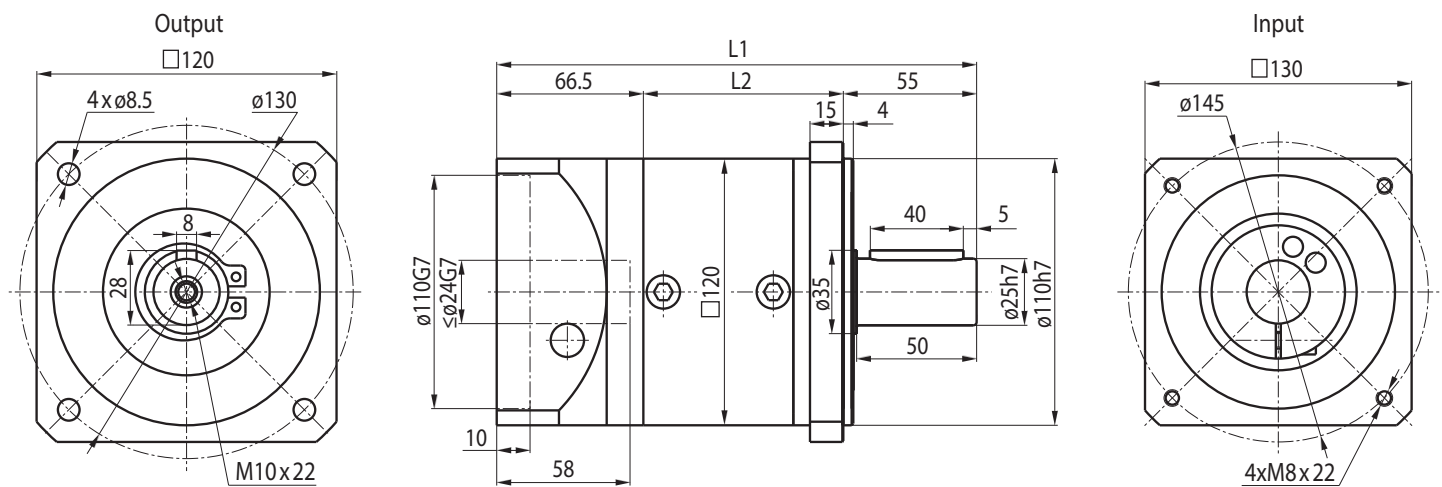
PowerTronic



Gear Ratio	3	4	5	8	10	9	12	15	16	20	25	32	40	64
Rated Torque (Nm)	80	110	110	100	80	210	210	210	260	260	230	260	230	100
Moment of Inertia (kg/cm ²)	2.63	1.79	1.53	1.32	1.14	2.62	2.56	1.79	1.75	1.5	1.49	1.3	1.3	1.3
No. of Stages	1	1	1	1	1	2	2	2	2	2	2	2	2	2
Length L1 (mm)	195.2					223								
Length L2 (mm)	73.7					101.5								

Gear Ratio	60	80	100	120	160	200	256	320	512
Rated Torque (Nm)	210	260	260	210	260	230	260	230	100
Moment of Inertia (kg/cm ²)	1.5	1.5	1.49	1.3	1.3	1.3	1.3	1.3	1.3
No. of Stages	3	3	3	3	3	3	3	3	3
Length L1 (mm)	250.5								
Length L2 (mm)	129								

Protection Class: IP54 | Ambient Temp.: -25 to +90 °C | Net Weight max. 9.5 kg



Torsional Stiffness (Nm/arcmin)	Noise (dB [A])	Max. Input Speed (min ⁻¹)	Recommended Input Speed (min ⁻¹)	Life (h)
12	65	4500	3000	20000

	Backlash (arcmin)	Full Load Efficiency (%)
No. of Stages 1	< 8	96
No. of Stages 2	< 12	94
No. of Stages 3	< 15	90

Radial Load (FR): 2100 N (10 mm from face mounting) | Axial Load (FA): 1050 N