

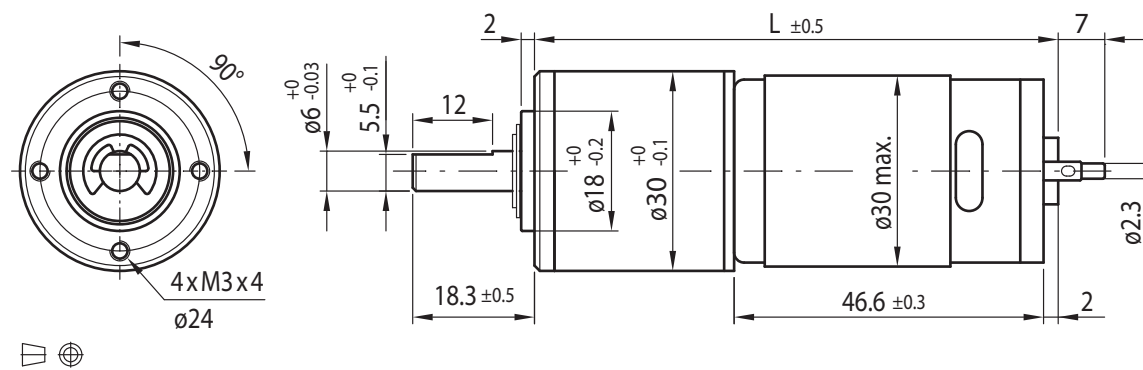
DC Motor Planetary Gearbox Type PL30-DC30.47



Gearmotor

Gear Ratio		5	14	19	27	35	51	71	100	139	189	264	516	721	939
12V	Rated Torque (Ncm)	4.5	11	15	21	27	34	47	66	80	100	100	100	100	100
	Rated Speed (min ⁻¹)	1120	430	310	221	170	117	83	60	45	32	25	13	10	7
24V	Rated Torque (Ncm)	5.4	12	17	24	31	40	55	78	80	100	100	100	100	100
	Rated Speed (min ⁻¹)	1150	445	320	229	176	121	87	62	46	35	26	14	10	7
Length L (mm)		70.2	76.6	76.6	76.6	76.6	83.0	83.0	83.0	83.0	89.4	89.4	89.4	89.4	89.4

Rel. Humidity: 20 to 85% | Ambient Temp.: -10 to +60°C | Net Weight max. 231g

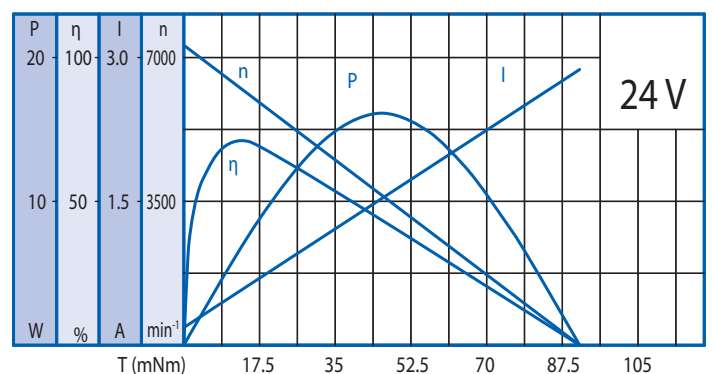
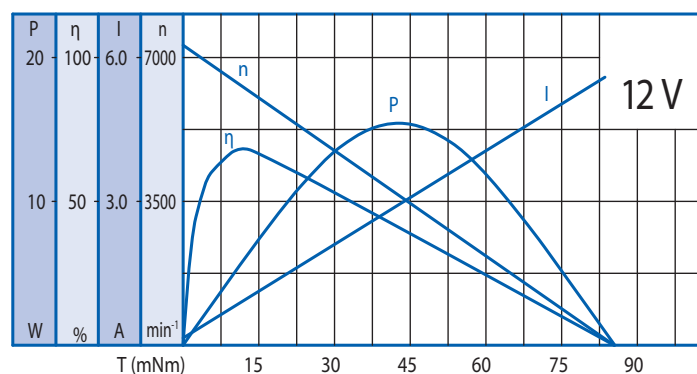


Options

Encoder
EMC Filter
Leads
Connector
Special Shaft
Special Voltage

Motor

Rated Voltage (V)	Rated Torque (Ncm)	Rated Speed (min ⁻¹)	Rated Current (mA)	No Load Speed (min ⁻¹)	No Load Current (mA)	Rated Power (W)
12	1.1	5950	≤ 900	7300	≤ 150	7
24	1.3	6160	≤ 500	7300	≤ 80	8.5



Gearbox

Gear Ratio	5	14	19	27	35	51	71	100	139	189	264	516	721	939
Max. Rated Torque (Ncm)	20	30	30	40	40	60	60	80	80	100	100	100	100	100
Max. Peak Torque (Ncm)	60	90	90	120	120	180	180	240	240	300	300	300	300	300

Ball Bearing

Radial Load (FR): 35 N (10mm from face mounting) | Axial Load (FA): 25 N