

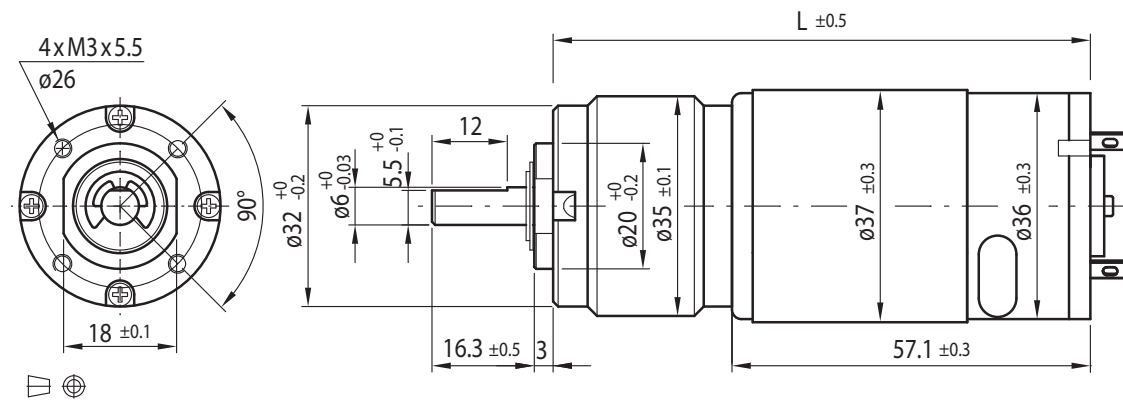
# DC Motor Planetary Gearbox Type PL35-DC36.57



## Gearmotor

Gear Ratio		5	14	19	27	51	71	100	139	189	264	516	721
12V	Rated Torque (Ncm)	10	24	33	47	76	80	100	100	120	120	120	120
	Rated Speed (min <sup>-1</sup> )	950	359	257	183	97	72	52	39	29	21	11	8
24V	Rated Torque (Ncm)	10	23	32	45	73	80	100	100	120	120	120	120
	Rated Speed (min <sup>-1</sup> )	990	375	268	192	101	75	54	40	30	22	12	8
Length L (mm)		79.2	85.6	85.6	85.6	92.0	92.0	92.0	92.0	98.4	98.4	98.4	98.4

Rel. Humidity: 20 to 85% | Ambient Temp.: -10 to +60°C | Net Weight max. 430g

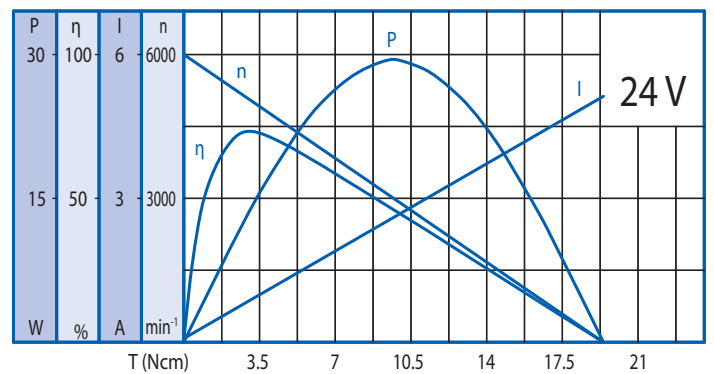
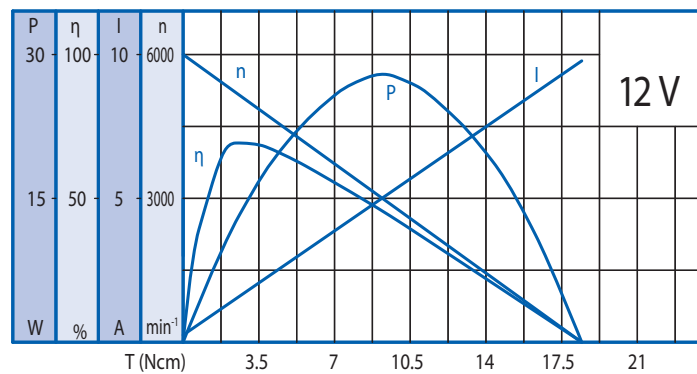


## Options

Helical Gearing
Encoder
Rear Shaft
EMC Filter
Leads
Connector
Special Shaft
Special Voltage

## Motor

Rated Voltage (V)	Rated Torque (Ncm)	Rated Speed (min <sup>-1</sup> )	Rated Current (mA)	No Load Speed (min <sup>-1</sup> )	No Load Current (mA)	Rated Power (W)
12	2.5	4930	≤1600	6000	≤250	12.8
24	2.4	5150	≤750	6000	≤130	12.7



## Gearbox

Gear Ratio	5	14	19	27	51	71	100	139	189	264	516	721
Max. Rated Torque (Ncm)	20	40	40	60	80	80	100	100	120	120	120	120
Max. Peak Torque (Ncm)	60	120	120	180	240	240	300	300	360	360	360	360

## Ball Bearing

Radial Load (FR): 35 N (10mm from face mounting) | Axial Load (FA): 25 N