

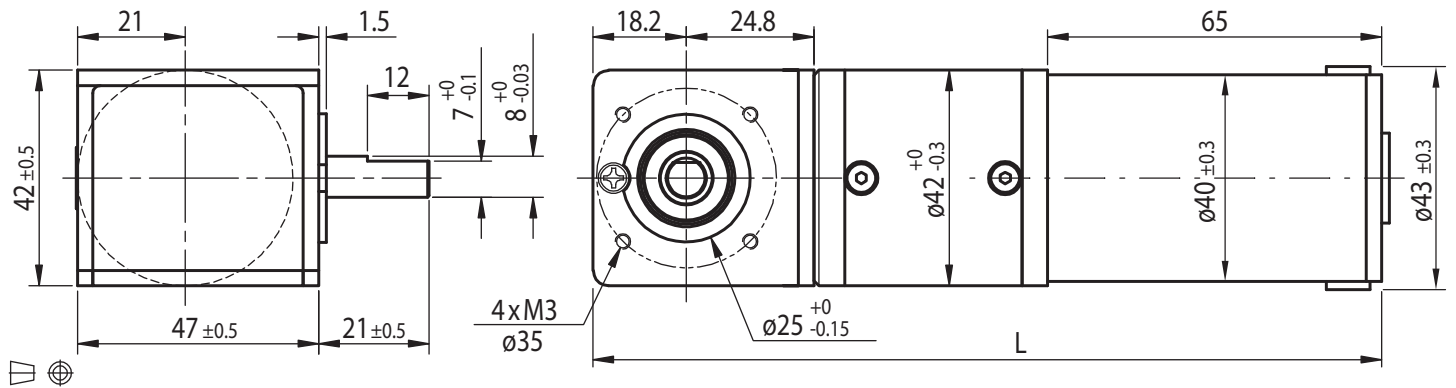
DC Motor Planetary & Bevel Gearbox Type PL42CR-DC40.65



Gearmotor

Gear Ratio		4	14	17	24	49	61	84	104	144	212	294	504	624	720	864	1062	1470	2500	3000	3600	
12V	Rated Torque (Ncm)	12	38	47	65	113	140	180	200	200	250	250	300	300	300	300	300	300	300	300	300	300
	Rated Speed (min ⁻¹)	930	265	210	150	76	61	45	37	27	18.5	14	8.3	6.9	5.9	4.9	4	2.8	1.7	1.4	1.2	1.2
24V	Rated Torque (Ncm)	10	30	38	52	92	114	160	200	200	250	250	300	300	300	300	300	300	300	300	300	300
	Rated Speed (min ⁻¹)	945	270	215	155	76	62	45	36	27	18.5	14	8.3	6.9	5.9	4.9	4	2.8	1.7	1.4	1.2	1.2
Length L (mm)		147.2	147.2	147.2	147.2	153.9	153.9	153.9	153.9	153.9	160.6	160.6	160.6	160.6	160.6	160.6	167.6	167.6	167.6	167.6	167.6	167.6

Radial Load (FR): 80 N (10 mm from face mounting) | Axial Load (FA): 30 N | Net Weight max. 985 g

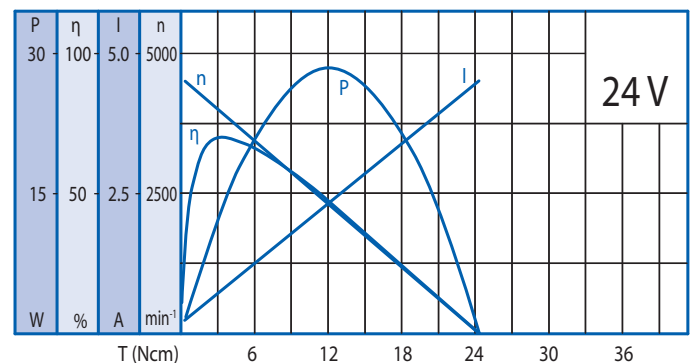
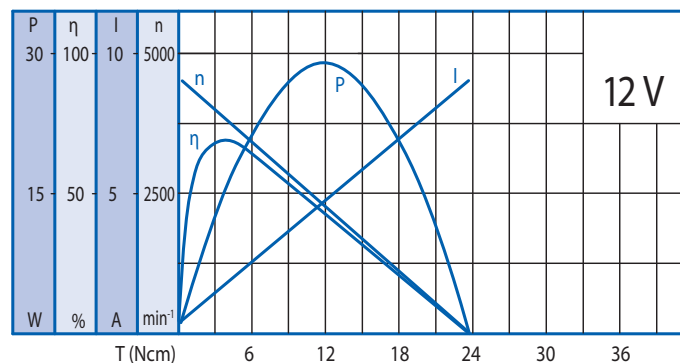


Options

Rear Shaft	Connector	Special Voltage	Cable
EMC Filter	Special Shaft	Encoder	Helical Gearing

Motor

Rated Voltage (V)	Rated Torque (Ncm)	Rated Speed (min ⁻¹)	Rated Current (mA)	No Load Speed (min ⁻¹)	No Load Current (mA)	Rated Power (W)
12	4.3	3750	≤2000	4500	≤500	16.56
24	3.5	3800	≤820	4500	≤220	13.65



Gearbox

Gear Ratio	15	17	20	25	51	64	84	100	120	180	222	294	500	600	720	1062	1470	2500	3000	3600	
Max. Rated Torque (Ncm)	80	80	80	80	180	180	180	200	200	250	250	300	300	300	300	300	300	300	300	300	300
Max. Peak Torque (Ncm)	240	240	240	240	540	540	540	600	600	750	750	900	900	900	900	900	900	900	900	900	900

Ball Bearing

Radial Load (FR): 80 N (10 mm from face mounting) | Axial Load (FA): 30 N