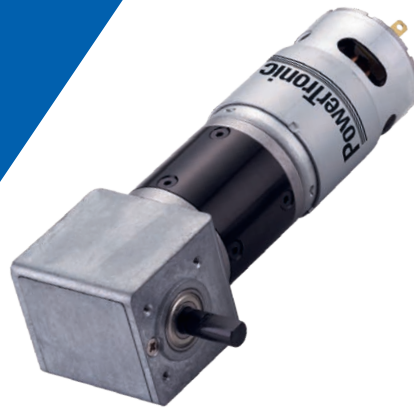


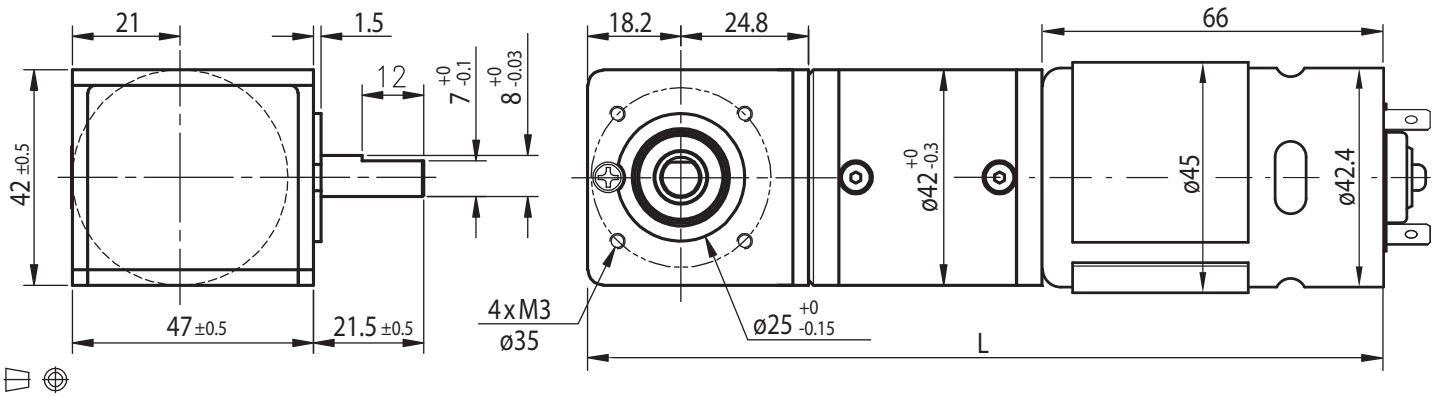
DC Motor Planetary & Bevel Gearbox Type PL42CR-DC45.66



Gearmotor

Gear Ratio		4	14	17	24	49	61	84	104	144	212	294	504	624	720	864	1062	1470	2500	3000	3600
12V	Rated Torque (Ncm)	20	61	76	80	180	180	180	200	200	250	250	300	300	300	300	300	300	300	300	300
	Rated Speed (min ⁻¹)	1400	405	325	248	120	98	76	63	45	31	24	13.5	10.9	9.5	8	6.5	4.6	2.7	2.3	1.9
24V	Rated Torque (Ncm)	16	50	62	80	150	180	180	200	200	250	250	300	300	300	300	300	300	300	300	300
	Rated Speed (min ⁻¹)	1445	420	340	240	122	102	77.5	63	47	31	23.8	13.5	10.9	9.5	8	6.5	4.6	2.7	2.3	1.9
Length L (mm)		141.5	148.2	148.2	148.2	154.9	154.9	154.9	154.9	154.9	161.6	161.6	161.6	161.6	161.6	161.6	168.6	168.6	168.6	168.6	168.6

Radial Load (FR): 80N (10mm from face mounting) | Axial Load (FA): 30N | Net Weight max. 1030g

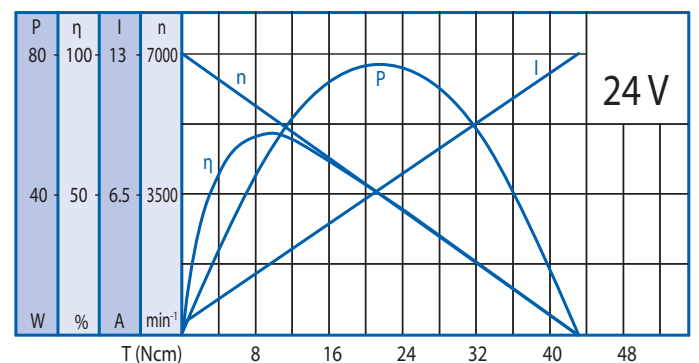
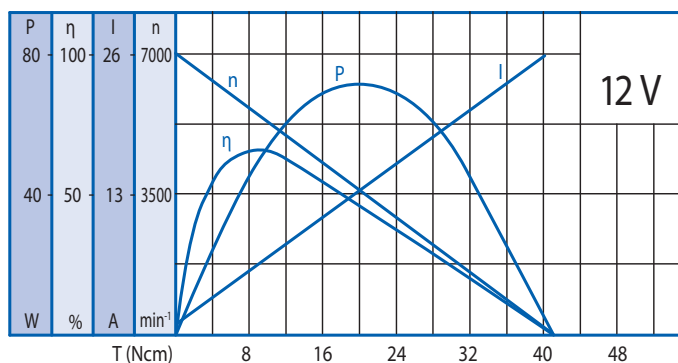


Options

Rear Shaft	Connector	Special Voltage	Leads
EMC Filter	Special Shaft	Encoder	Helical Gearing

Motor

Rated Voltage (V)	Rated Torque (Ncm)	Rated Speed (min ⁻¹)	Rated Current (mA)	No Load Speed (min ⁻¹)	No Load Current (mA)	Rated Power (W)	Weight (g)
12	7	5700	≤5500	7000	≤900	41.3	360
24	5.7	5900	≤2100	7000	≤500	34.7	360



Gearbox

Gear Ratio	4	14	17	24	49	61	84	104	144	212	294	504	624	720	864	1062	1470	2500	3000	3600
Max. Rated Torque (Ncm)	30	80	80	80	180	180	180	200	200	250	250	300	300	300	300	300	300	300	300	300
Max. Peak Torque (Ncm)	90	240	240	240	540	540	540	600	600	750	750	900	900	900	900	900	900	900	900	900

Ball Bearing

Radial Load (FR): 80N (10mm from face mounting) | Axial Load (FA): 30N