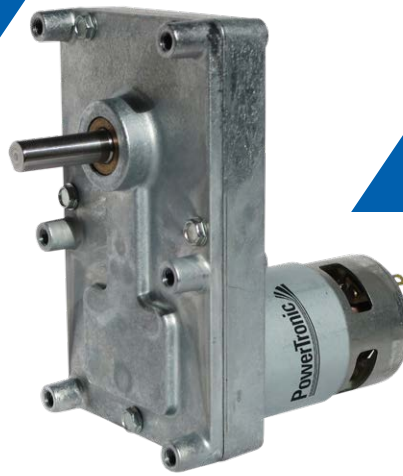


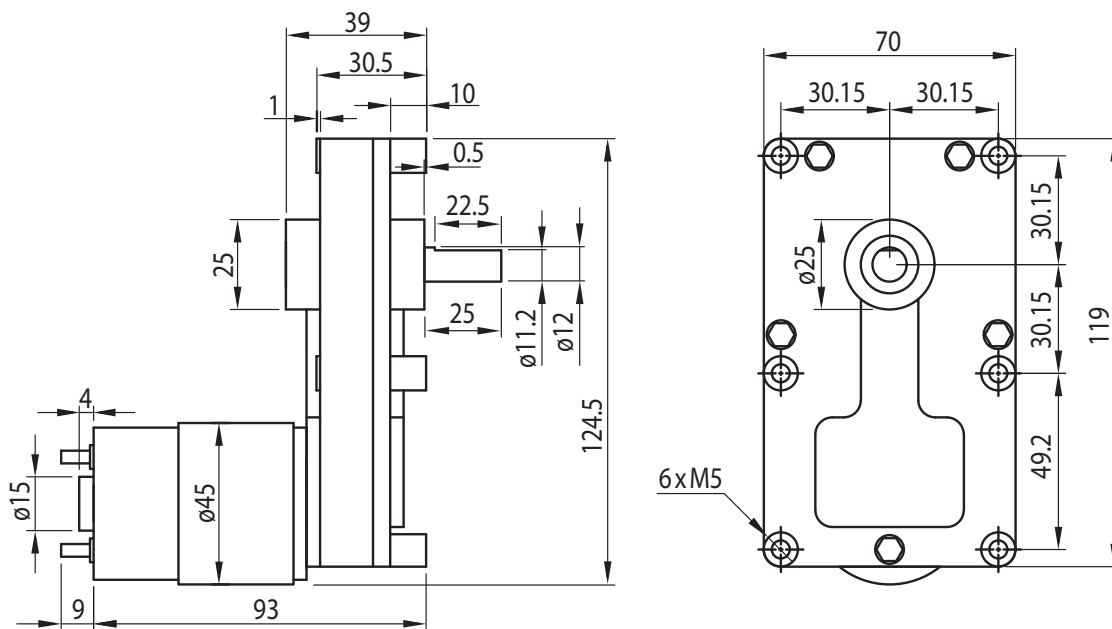
DC Motor Spur Gearbox Type SF70.119-DC45.59



Gearmotor

Gear Ratio	139	185	233	278	370	555	794
Rated Torque (Ncm)	457	609	766	914	1217	1825	2612
Rated Speed (min ⁻¹)	21.2	15.9	12.6	10.6	7.9	5.3	3.7

Rel. Humidity: 20 to 85%
Ambient Temp.: -20 to +80 °C
Net Weight max. 1.1 kg



Motor

Rated Voltage (V)	No Load Speed (min ⁻¹)	No Load Current (A)	Rated Speed (min ⁻¹)	Rated Current (A)	Rated Torque (Ncm)	Rated Power (W)
24	3500	0.16	2940	0.79	4.7	14.5

(Also available as standard: 12 V)

Radial Load (FR): 200 N (10 mm from face mounting)
Axial Load (FA): 100 N

Options

Encoder
Rear Shaft
EMC Filter
Leads
Connector
Special Shaft
Special Voltage